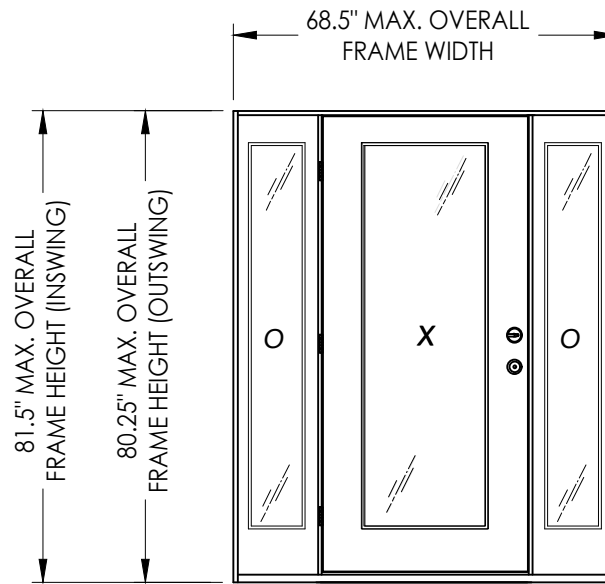
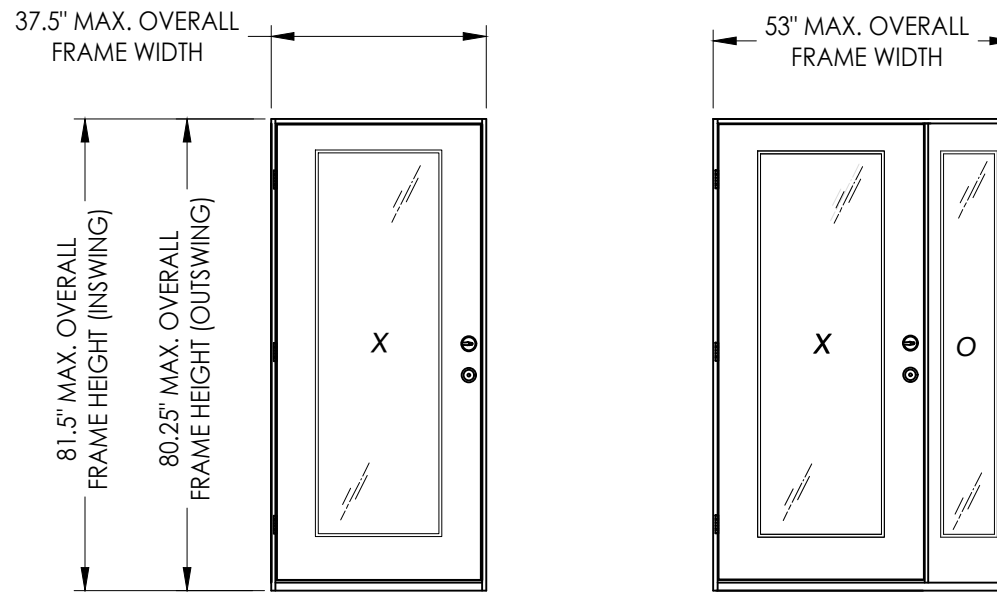




FLUSH GLAZED FIBERGLASS ENTRY DOOR SINGLE w/ or w/out SIDELITE(S) INSWING/OUTSWING "NON-IMPACT"

GENERAL NOTES

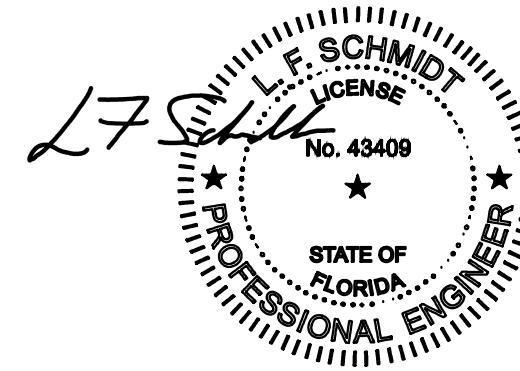
- This product has been evaluated and is in compliance with the 8th Edition (2023) Florida Building Code (FBC) structural requirements excluding the "High Velocity Hurricane Zone" (HVHZ).
- Product anchors shall be as listed and spaced as shown on details. Anchor embedment to base material shall be beyond wall dressing or stucco.
- When used in areas requiring wind borne debris protection, this product is required to be protected with an impact resistant covering that complies with FBC Sections 1609.1.2 & R301.2.1.2.
- For 2x stud framing construction, anchoring of these units shall be the same as that shown for 2x buck masonry construction.
- Site conditions that deviate from the details of this drawing require further engineering analysis by a licensed engineer or registered architect.



CONTINUOUS HEAD & SILL

CONFIGURATION	MAX. FRAME DIMENSION	DESIGN PRESSURE (PSF) INSWING		DESIGN PRESSURE (PSF) OUTSWING	
		POSITIVE	NEGATIVE	POSITIVE	NEGATIVE
X	37.5" x 81.5"	+55.0	-60.0	+55.0	-55.0
OX/XO	53.0" x 81.5"	+50.0	-55.0	+50.0	-50.0
OXO	68.5" x 81.5"	+50.0	-55.0	+50.0	-50.0

NOTE: SEE SHEET 2 FOR GLAZING DESIGN PRESSURE LIMITATIONS



This item has been digitally signed and sealed by L. F. Schmidt, P.E. on the date adjacent to the seal. Printed copies of this document are not considered signed and sealed and the signature must be verified on any electronic copies.

THIS PRODUCT APPROVAL IS VALID ONLY FOR THE STATE OF FLORIDA

TABLE OF CONTENTS	
SHEET #	DESCRIPTION
1	Typical Elevations, Design Pressures & General Notes
2	Door Panel Details & Glazing Details
3	Door Panel Details & Glazing Details
4	Door Panel Details & Glazing Details
5	Sidelite Panel Details
6	Elevations
7	Horizontal & Vertical Cross Sections (2X Buck)
8	Horizontal & Vertical Cross Sections (1X Buck)
9	Horizontal & Vertical Cross Sections (Direct to Masonry)
10	Horizontal Cross Sections
11	Vertical Cross Sections
12	Buck Anchoring
13	Frame Anchoring & Hardware Details
14	Bill of Materials & Components

Documents Prepared By:
Lyndon F. Schmidt
P.E. No. 43409

BUILDING CONSULTANTS, INC.
P.O. Box 230, Valrico, FL 33595
Phone No.: 813.659.9197
FBPE Registry No. 9813

PRODUCT: DOORSCAPES FIBERGLASS DOOR

PART OR ASSEMBLY: TYPICAL ELEVATION, DESIGN PRESSURES & GENERAL NOTES

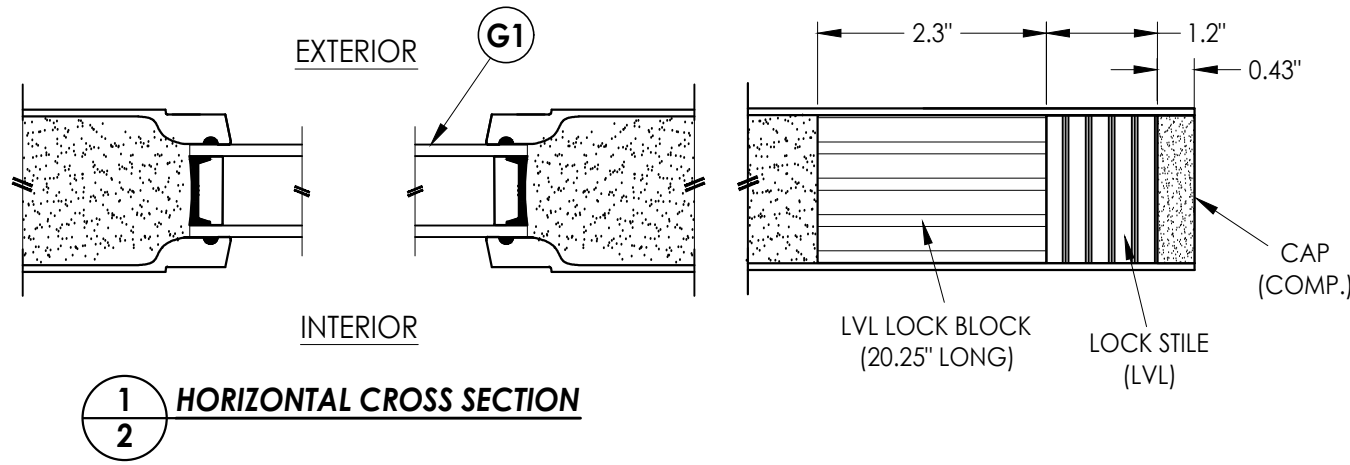
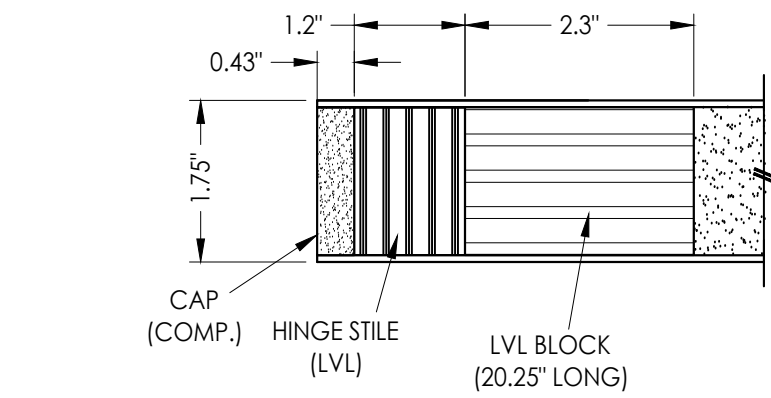
NO.	DATE	BY	REVISIONS

DATE: 2/22/24
SCALE: N.T.S.
DWG. BY: LFS
CHK. BY: RW
DRAWING NO.: FL-46553.2
SHEET 1 OF 14

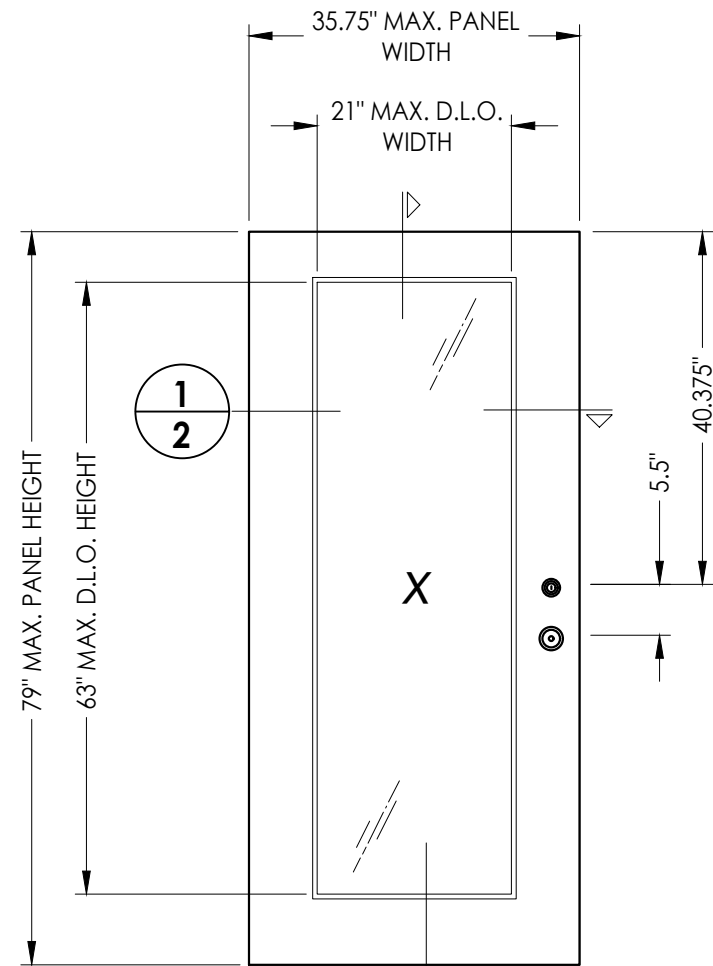
© 2024 R.W. BUILDING CONSULTANTS INC.

Z:\2023 FBC Drawings\Doorscapes, Inc\FL-46553 FG Flush Glased Door\FL46553.2.dwg

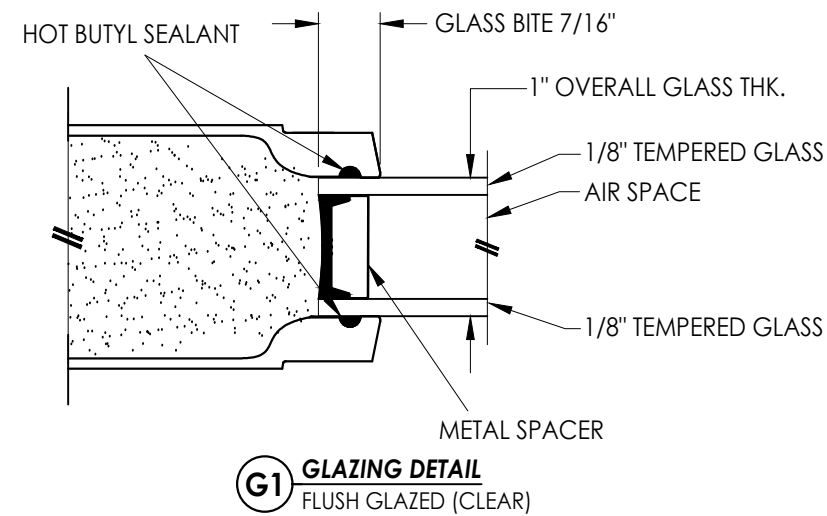
Z:\2023 FBC Drawings\Door\FL-46553 FG Flush Glased Door\FL46553.2.dwg



1
2 **HORIZONTAL CROSS SECTION**

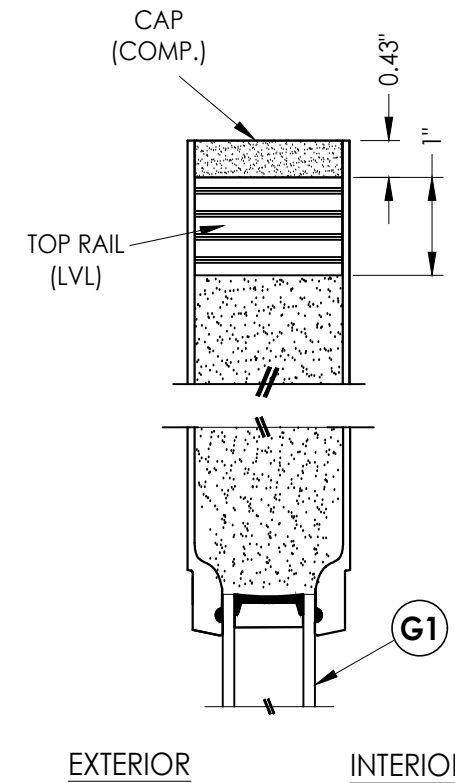


2
2 **40 FIBERGLASS DOOR PANEL**
Doorscapes



(G1) **GLAZING DETAIL**
FLUSH GLAZED (CLEAR)

GLAZING MAX. DESIGN PRESSURE (PSF) LIMITATIONS				
GLAZING TYPE	INSWING		OUTSWING	
	POSITIVE	NEGATIVE	POSITIVE	NEGATIVE
(G1) CLEAR	+55.0	-60.0	+55.0	-55.0
(G2) DECO	+50.0	-55.0	+50.0	-50.0
(G3) BBG	+50.0	-55.0	+50.0	-50.0



2
2 **VERTICAL CROSS SECTION**

FIBERGLASS SKIN: 0.070" MIN. THK.
FOAM CORE: POLYURETHANE -1.9 PCF MIN.

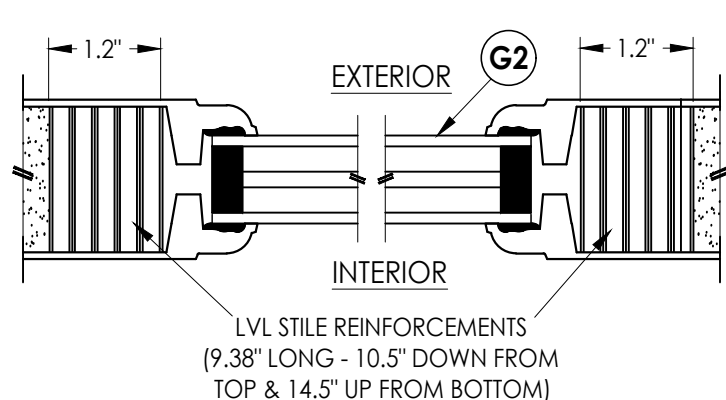
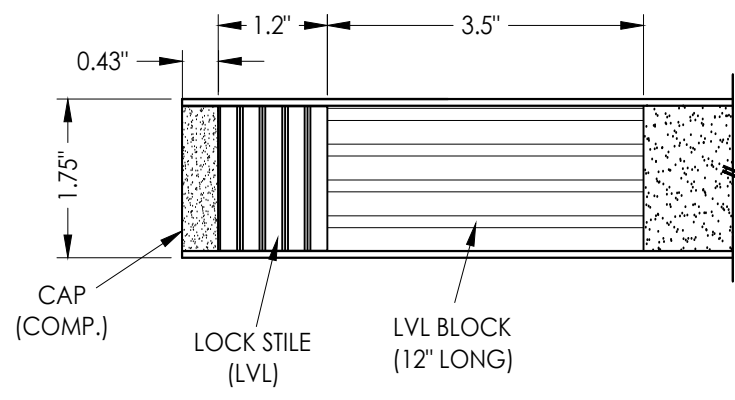
Documents Prepared By:
Lyndon F. Schmidt
P.E. No. 43409

RW BUILDING CONSULTANTS, INC.
P.O. Box 230, Valrico, FL 33595
Phone No.: 813.659.9197
FBPE Registry No. 9813

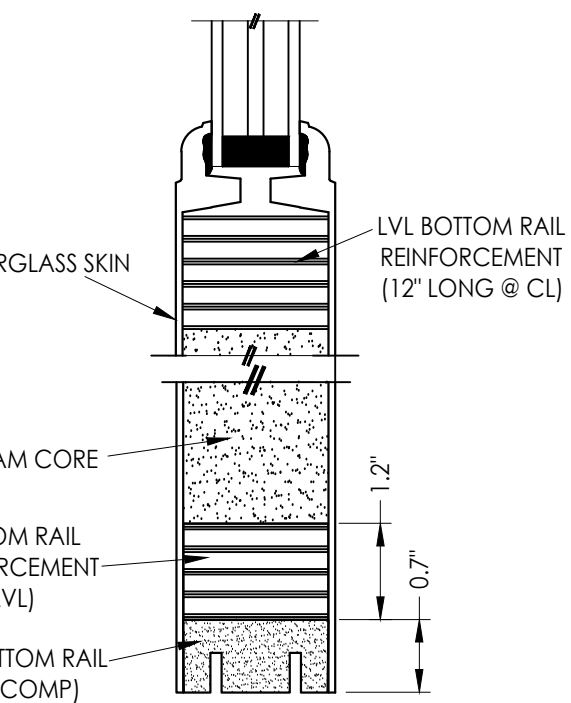
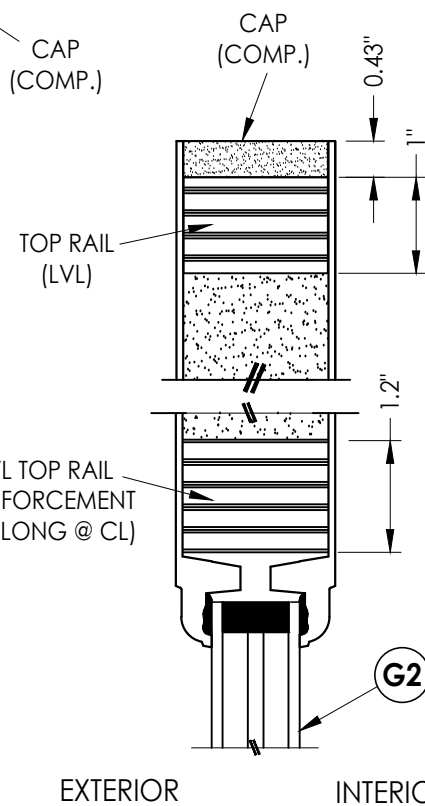
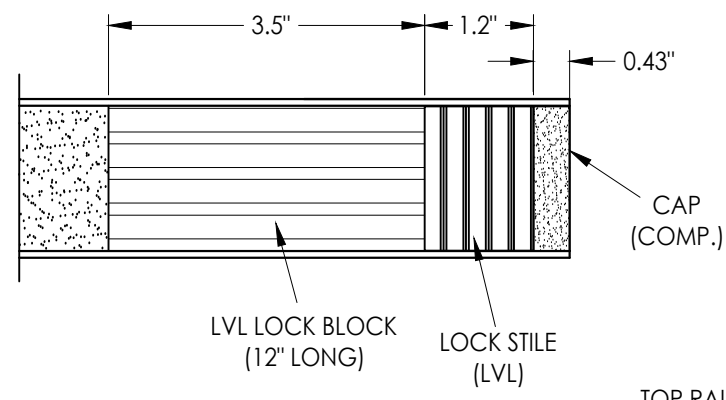
PRODUCT: DOORSCAPES FIBERGLASS DOOR
PART OR ASSEMBLY: DOOR PANEL DETAILS & GLAZING DETAILS

NO.	DATE	BY	REVISIONS

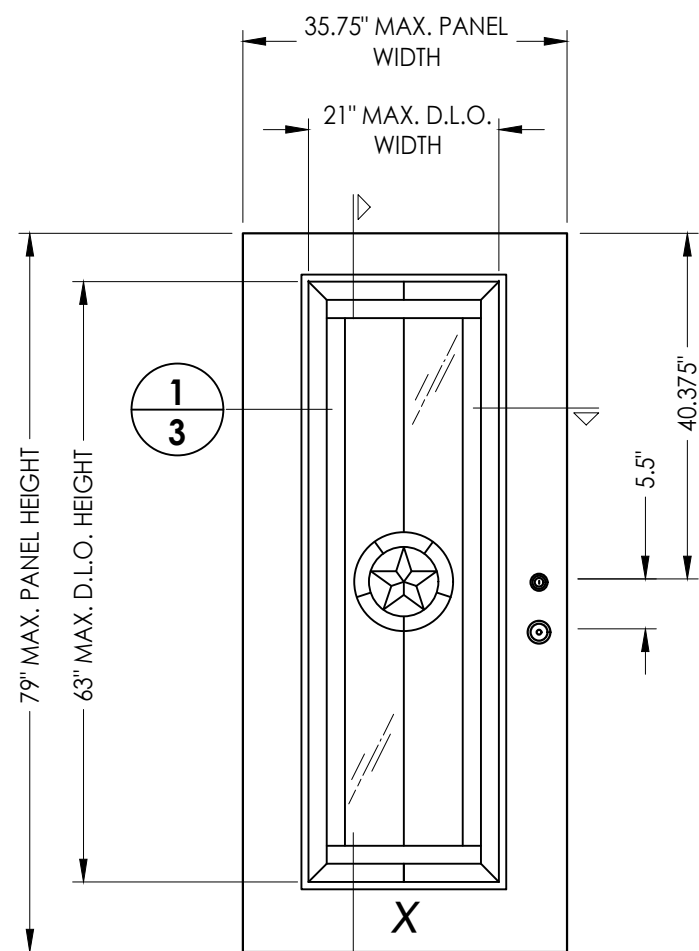
DATE: 2/22/24
SCALE: N.T.S.
DWG. BY: LFS
CHK. BY: RW
DRAWING NO.: FL-46553.2
SHEET 2 OF 14



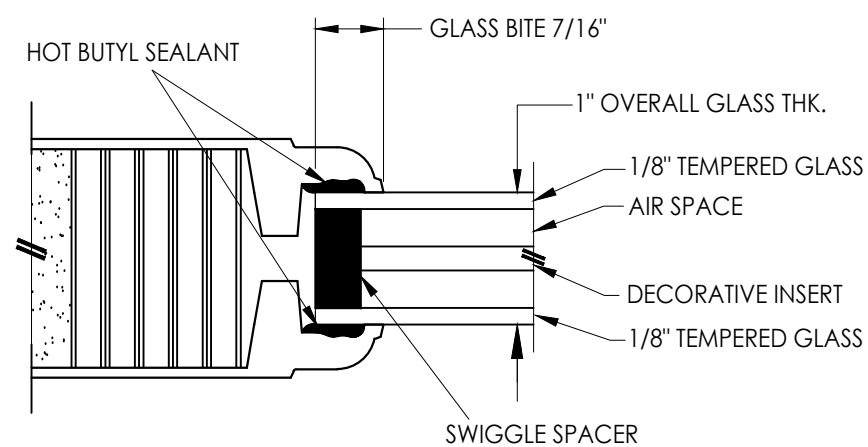
1
3 HORIZONTAL CROSS SECTION



2
3 VERTICAL CROSS SECTION



2
3
41 FIBERGLASS DOOR PANEL
Doorscapes



G2 GLAZING DETAIL
FLUSH GLAZED (DECO)

FIBERGLASS SKIN: 0.070" MIN. THK.
FOAM CORE: POLYURETHANE -1.9 PCF MIN.

Documents Prepared By:
Lyndon F. Schmidt
P.E. No. 43409

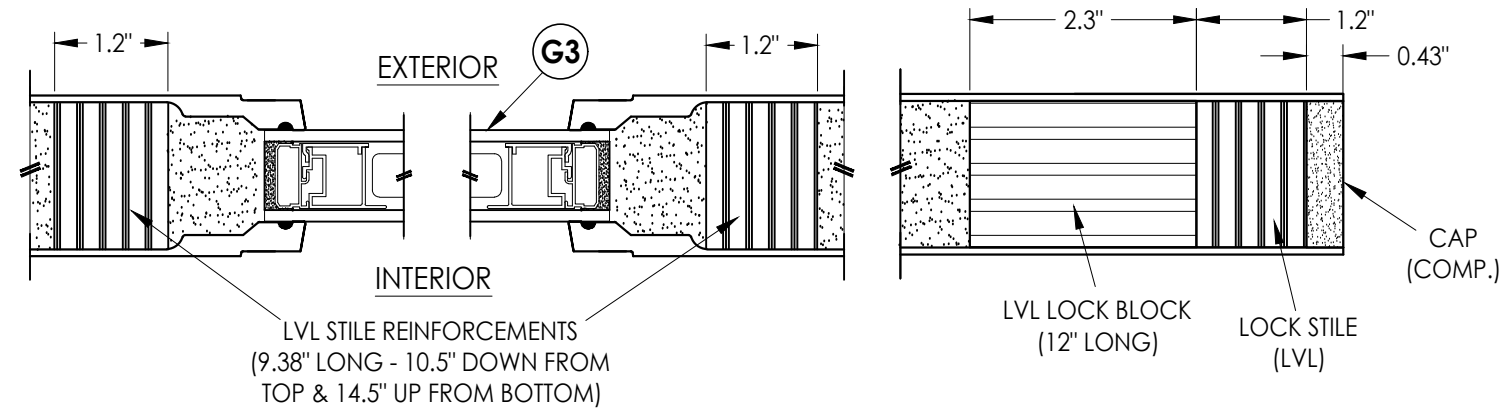
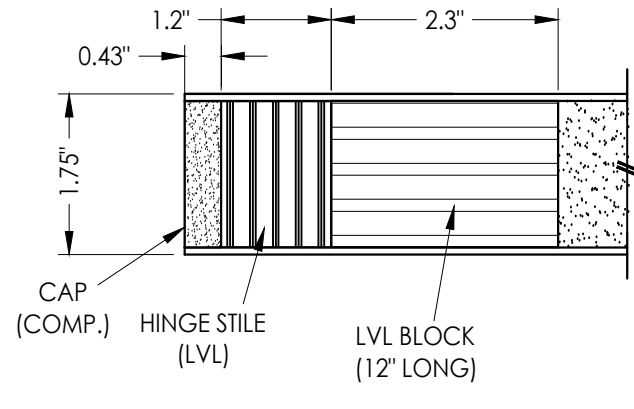
RW
BUILDING CONSULTANTS, INC.
P.O. Box 230, Valrico, FL 33595
Phone No.: 813.659.9197
FBPE Registry No. 9813

PRODUCT: DOORSCAPES
FIBERGLASS DOOR

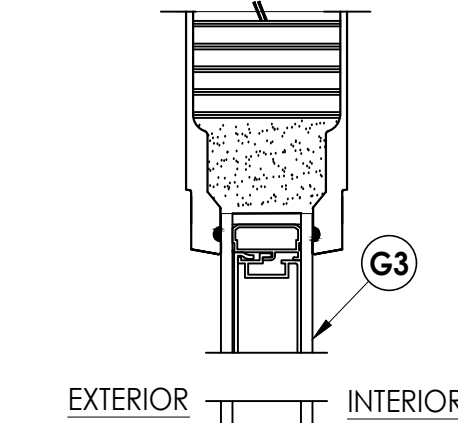
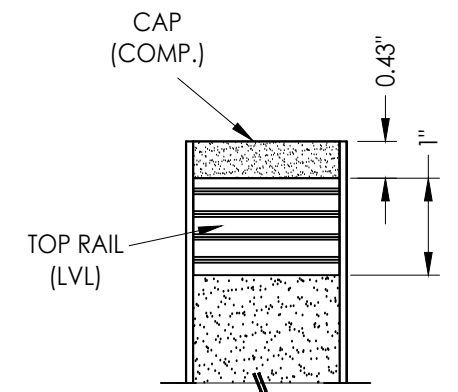
PART OR ASSEMBLY:
DOOR PANEL DETAILS &
GLAZING DETAILS

NO.	DATE	BY

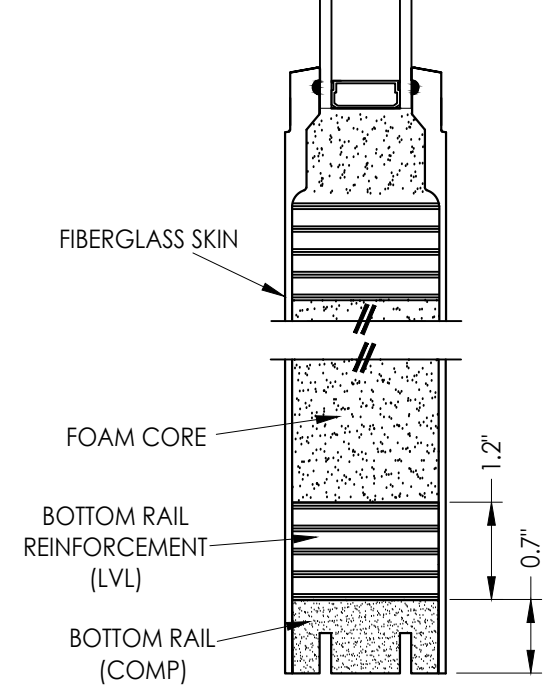
DATE: 2/22/24
SCALE: N.T.S.
DWG. BY: LFS
CHK. BY: RW
DRAWING NO.: FL-46553.2
SHEET 3 of 14



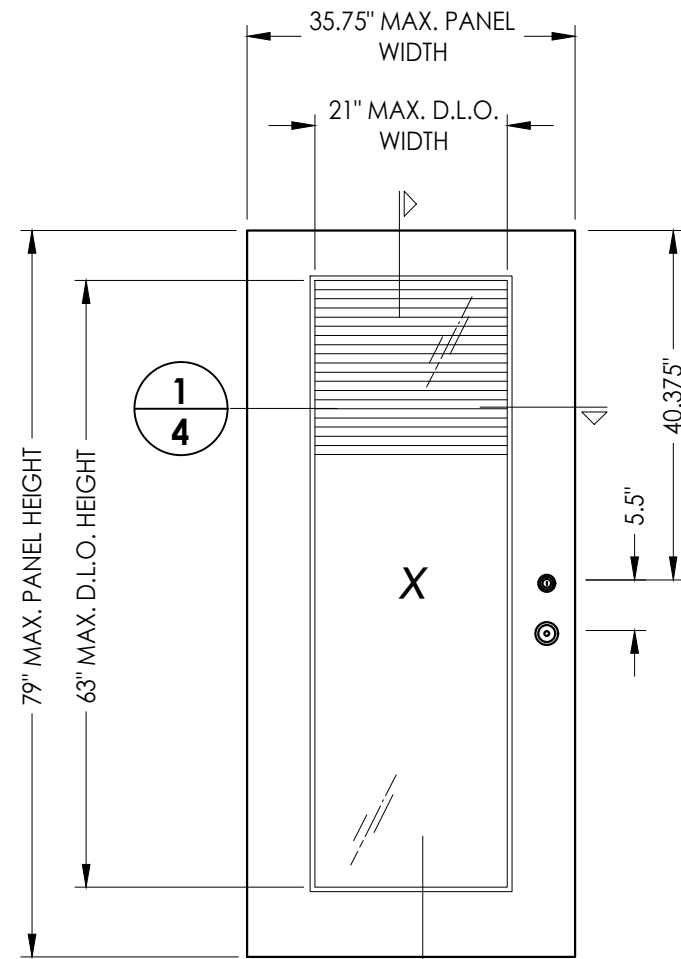
1
4 **HORIZONTAL CROSS SECTION**



G3 **GLAZING DETAIL**
FLUSH GLAZED (BLINDS BETWEEN GLASS)



2
4 **VERTICAL CROSS SECTION**



42 **FIBERGLASS DOOR PANEL**
Doorscapes

FIBERGLASS SKIN: 0.070" MIN. THK.
FOAM CORE: POLYURETHANE -1.9 PCF MIN.

Documents Prepared By:
Lyndon F. Schmidt
P.E. No. 43409

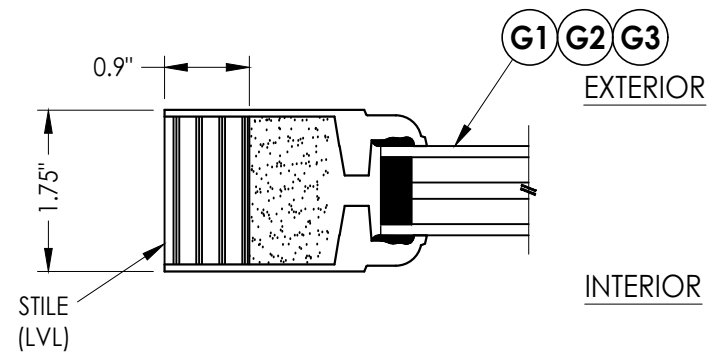
RW BUILDING CONSULTANTS, INC.
P.O. Box 230, Valrico, FL 33595
Phone No.: 813.659.9197
FBPE Registry No. 9813

PRODUCT: DOORSCAPES
FIBERGLASS DOOR

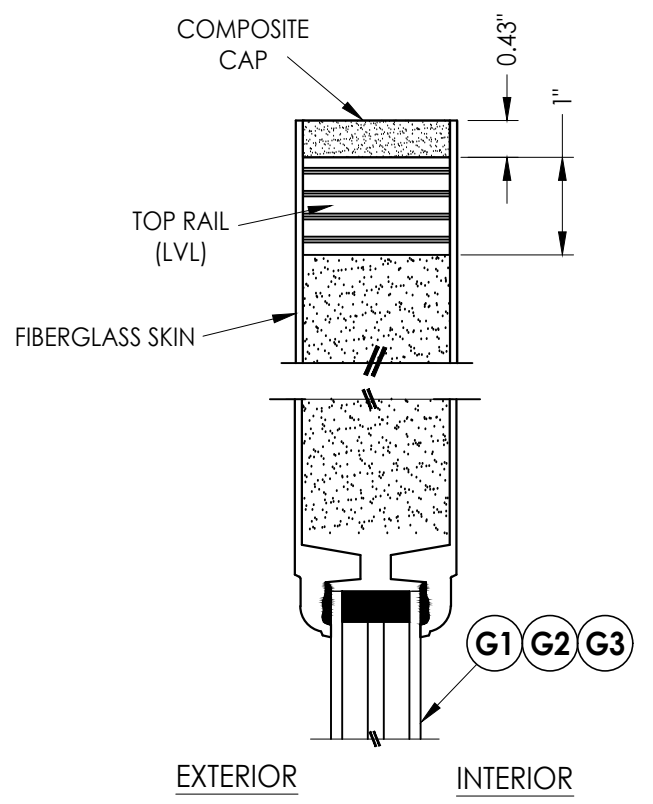
PART OR ASSEMBLY:
DOOR PANEL DETAILS &
GLAZING DETAILS

NO.	DATE	BY	REVISIONS

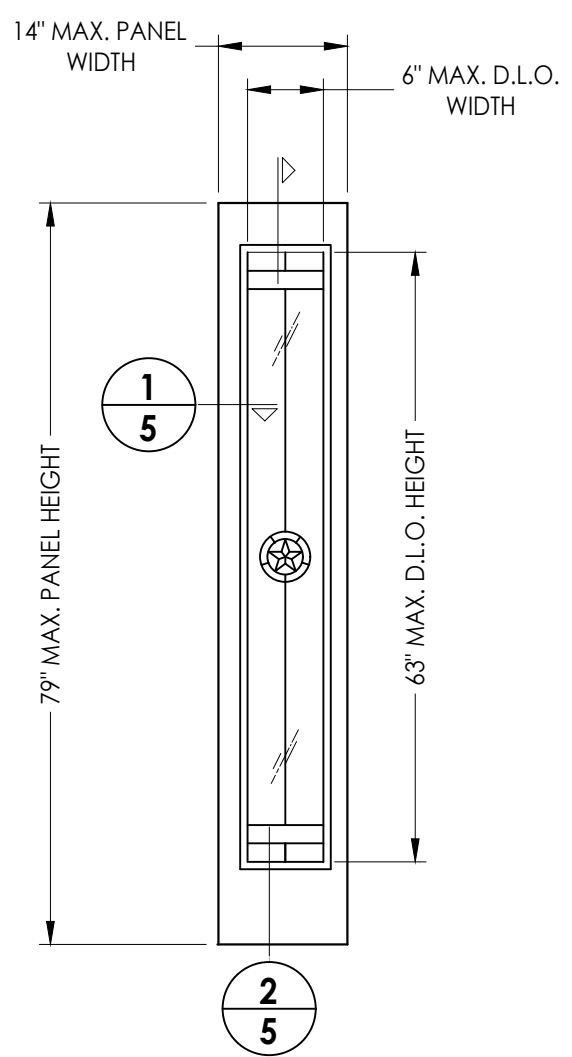
DATE: 2/22/24
SCALE: N.T.S.
DWG. BY: LFS
CHK. BY: RW
DRAWING NO.: FL-46553.2
SHEET 4 OF 14



1
5 **HORIZONTAL CROSS SECTION**



2
5 **VERTICAL CROSS SECTION**



50 **FIBERGLASS SIDELITE PANEL**
Doorscapes

FIBERGLASS SKIN: 0.070" MIN. THK.
FOAM CORE: POLYURETHANE -1.9 PCF MIN.

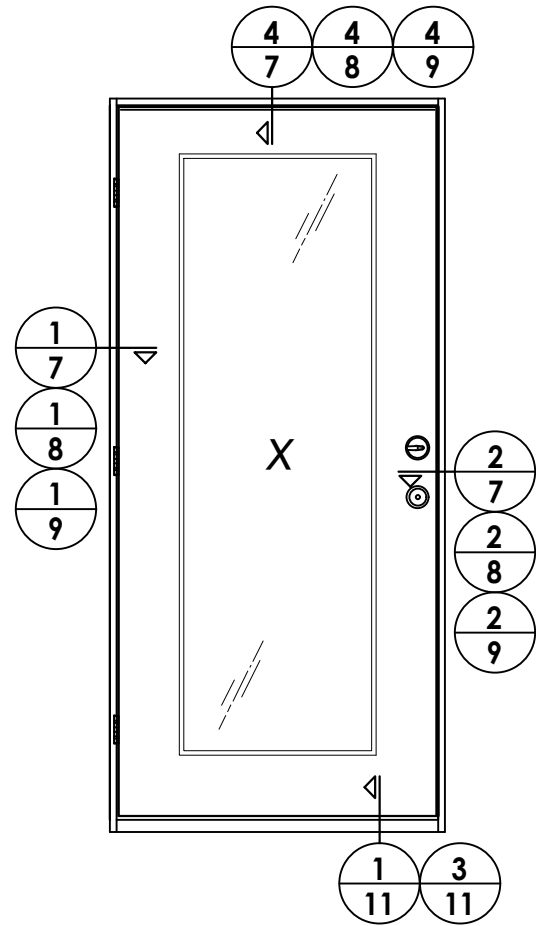
Documents Prepared By:
Lyndon F. Schmidt
P.E. No. 43409

RW
BUILDING CONSULTANTS, INC.
P.O. Box 230, Valrico, FL 33595
Phone No.: 813.659.9197
FBPE Registry No. 9813

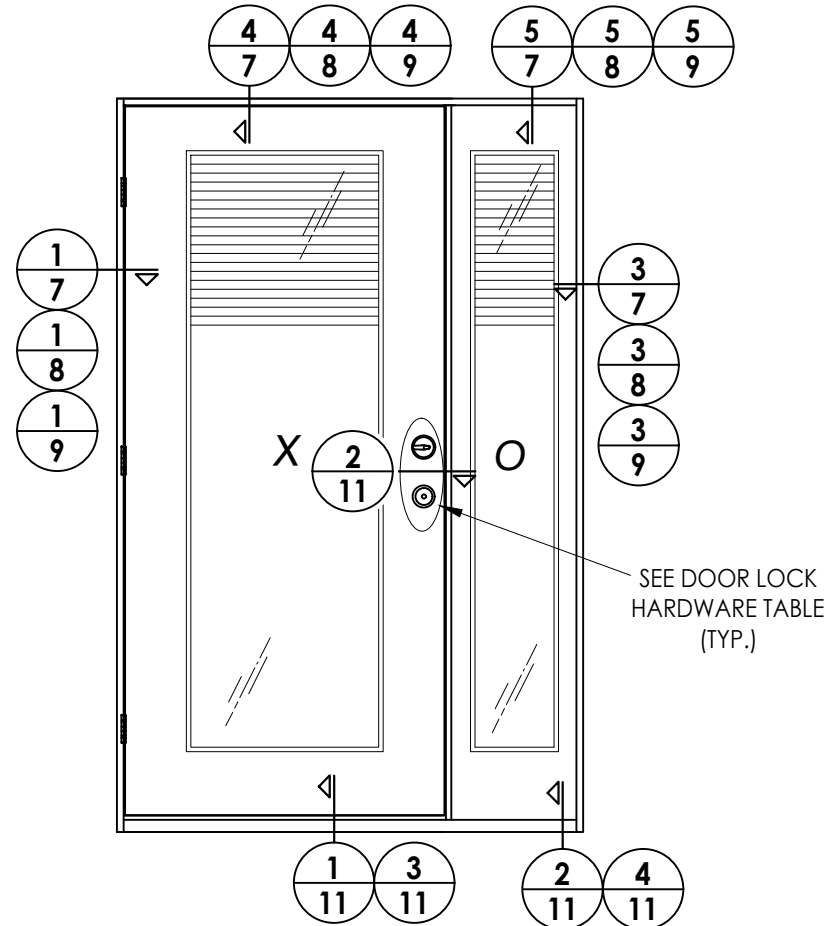
PRODUCT: DOORSCAPES
FIBERGLASS DOOR
PART OR ASSEMBLY:
SIDELITE PANEL DETAILS

NO.	DATE	BY
REVISIONS		

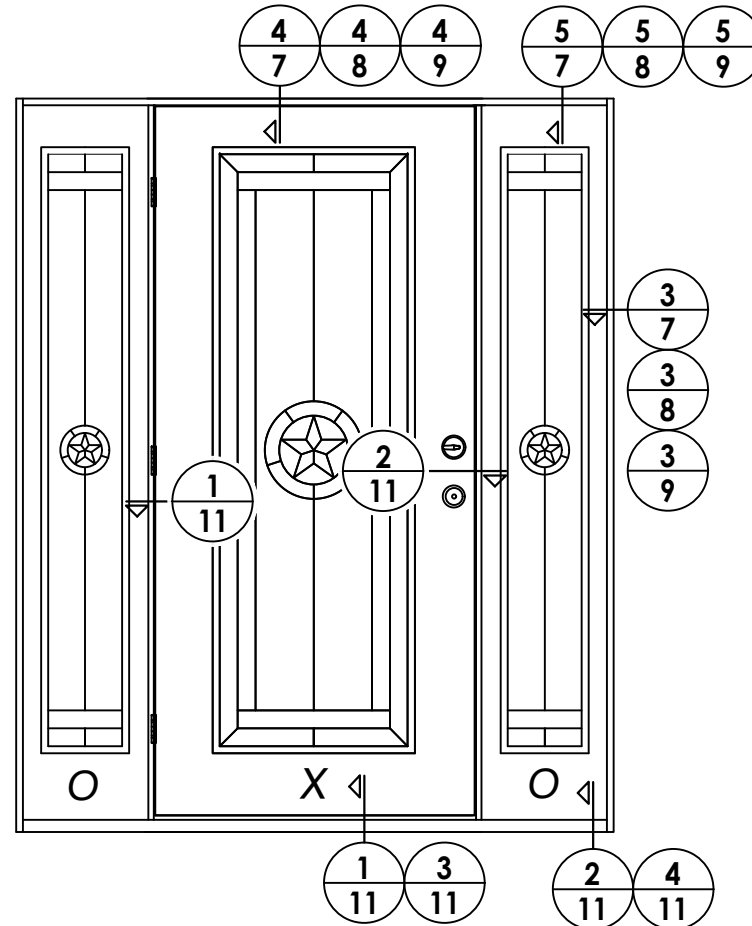
DATE: 2/22/24
SCALE: N.T.S.
DWG. BY: LFS
CHK. BY: RW
DRAWING NO.: FL-46553.2
SHEET 5 OF 14



ELEVATION
X



ELEVATION
XO / OX



ELEVATION
OXO

HARDWARE TABLE	
MANUFACTURER	MODEL
KWIKSET	KNOB: SIGNATURE SERIES
	DEADBOLT: SIGNATURE SERIES (980)
SCHLAGE	KNOB: F51
	DEADBOLT: B60

Documents Prepared By:
Lyndon F. Schmidt
P.E. No. 43409

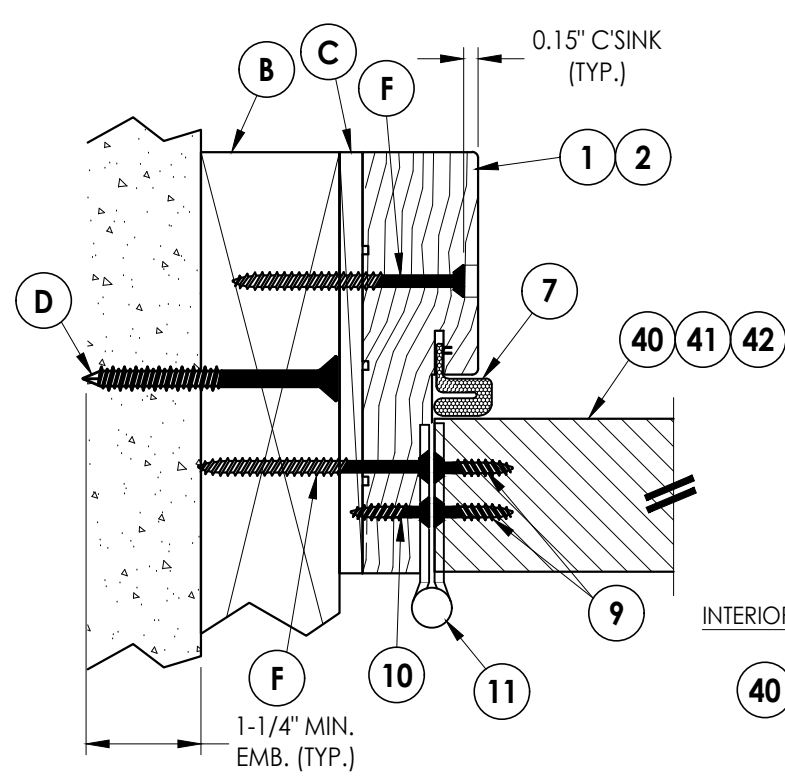
RW
BUILDING CONSULTANTS, INC.
P.O. Box 230, Valrico, FL 33595
Phone No.: 813.659.9197
FBPE Registry No. 9813

PRODUCT: DOORSCAPES
FIBERGLASS DOOR

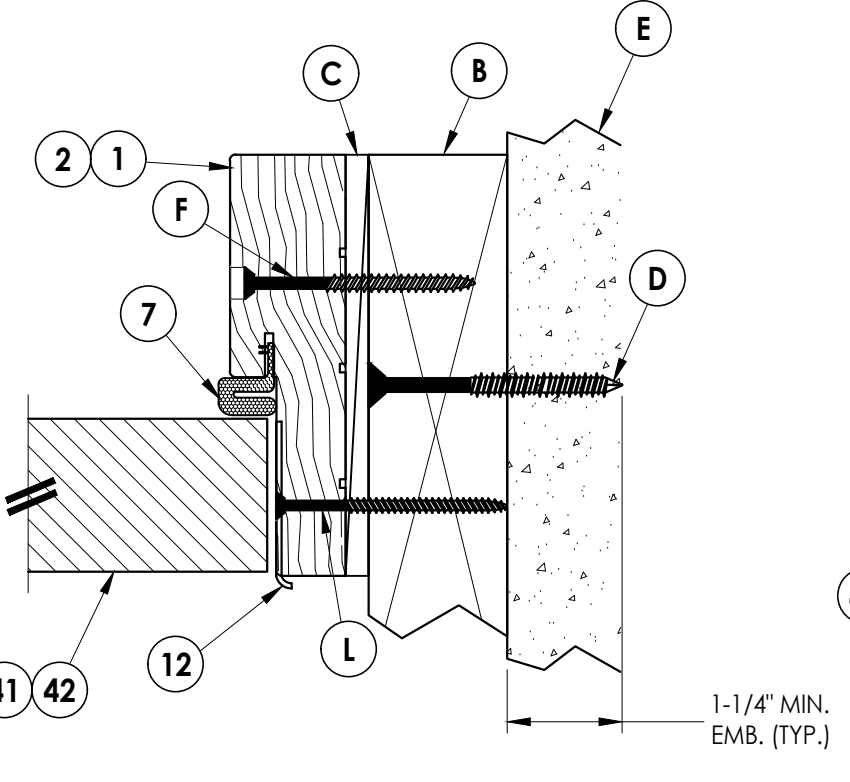
PART OR ASSEMBLY:
ELEVATIONS

NO.	DATE	BY

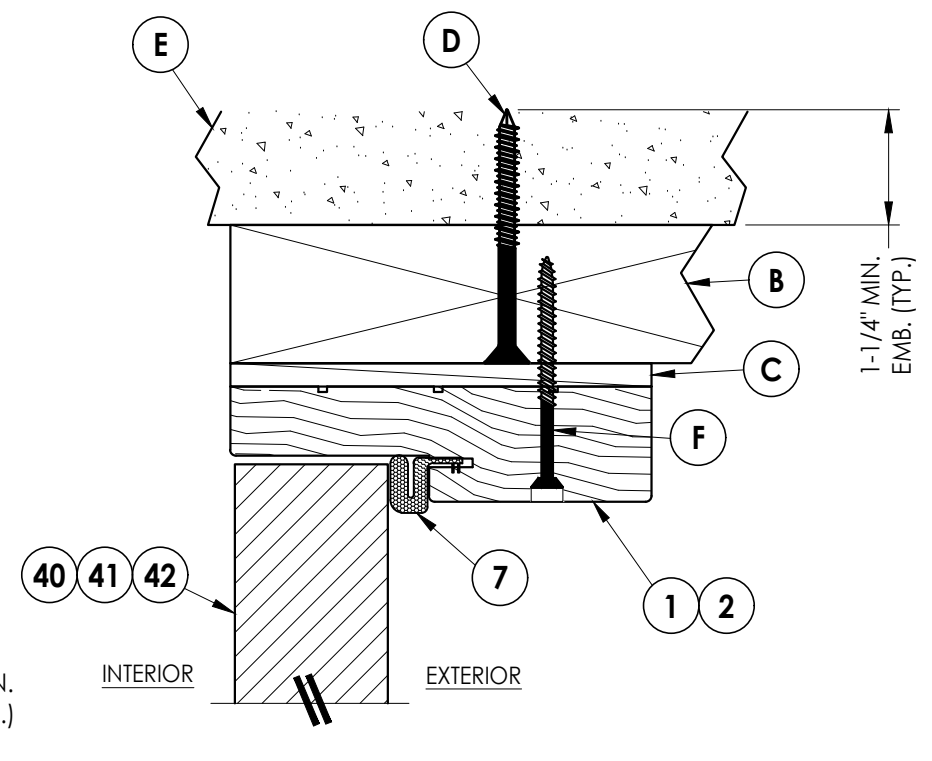
DATE: 2/22/24
SCALE: N.T.S.
DWG. BY: LFS
CHK. BY: RW
DRAWING NO.: FL-46553.2
SHEET 6 OF 14



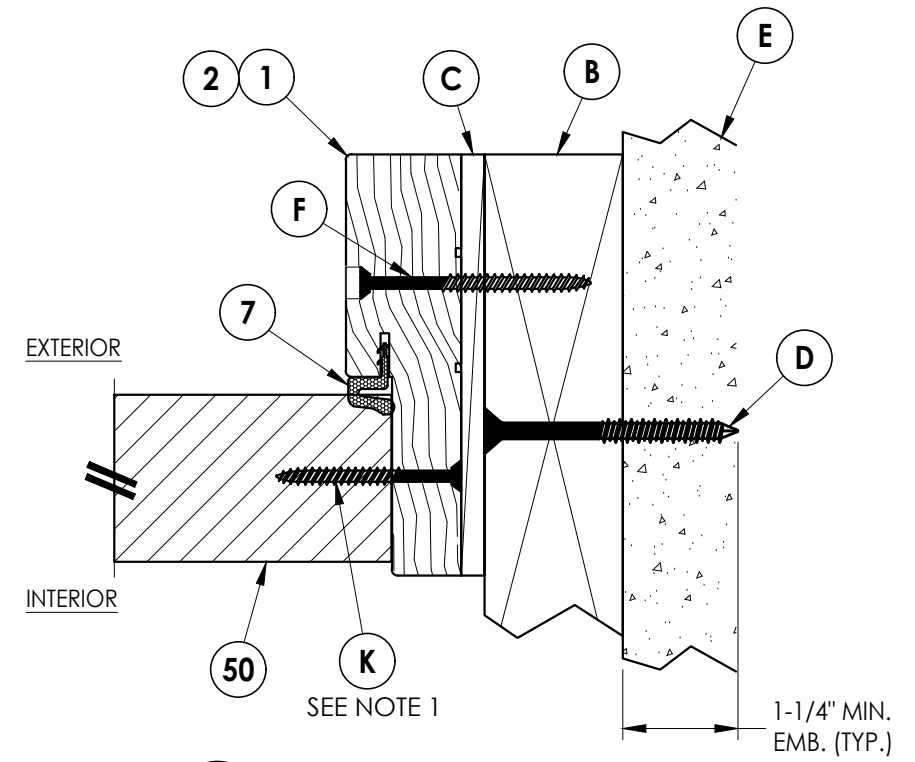
1 HORIZONTAL CROSS SECTION
7 Inswing Shown (Outswing Similar)
 2X Buck Construction



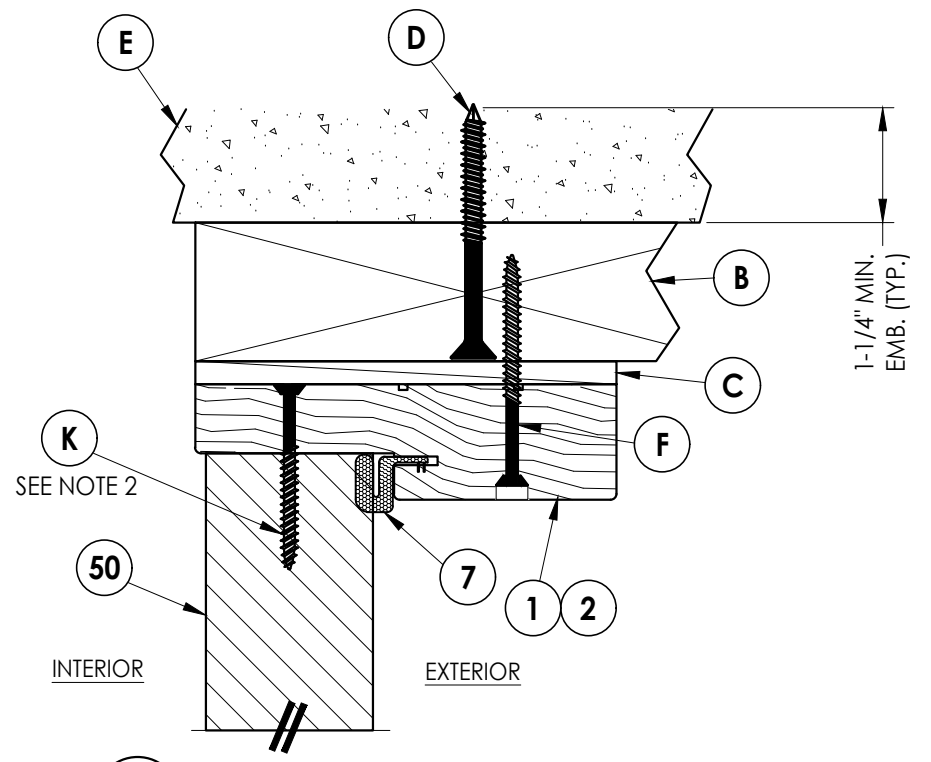
2 HORIZONTAL CROSS SECTION
7 Inswing Shown (Outswing Similar)
 2X Buck Construction



4 VERTICAL CROSS SECTION
7 Inswing Shown (Outswing Similar)
 2X Buck Construction



3 HORIZONTAL CROSS SECTION
7 Inswing Shown (Outswing Similar)
 2X Buck Construction



5 VERTICAL CROSS SECTION
7 Inswing Shown (Outswing Similar)
 2X Buck Construction

NOTES:
 1. Sidelite attached @ 6" from each end plus 4 more screws equally spaced between (6 screws total per jamb).
 2. Sidelite attached @ 3" from each end (2 screws total @ head).

Documents Prepared By:
 Lyndon F. Schmidt
 P.E. No. 43409

RW BUILDING CONSULTANTS, INC.
 P.O. Box 230, Valrico, FL 33595
 Phone No.: 813.659.9197
 FBPE Registry No. 9813

PRODUCT: DOORSCAPES FIBERGLASS DOOR

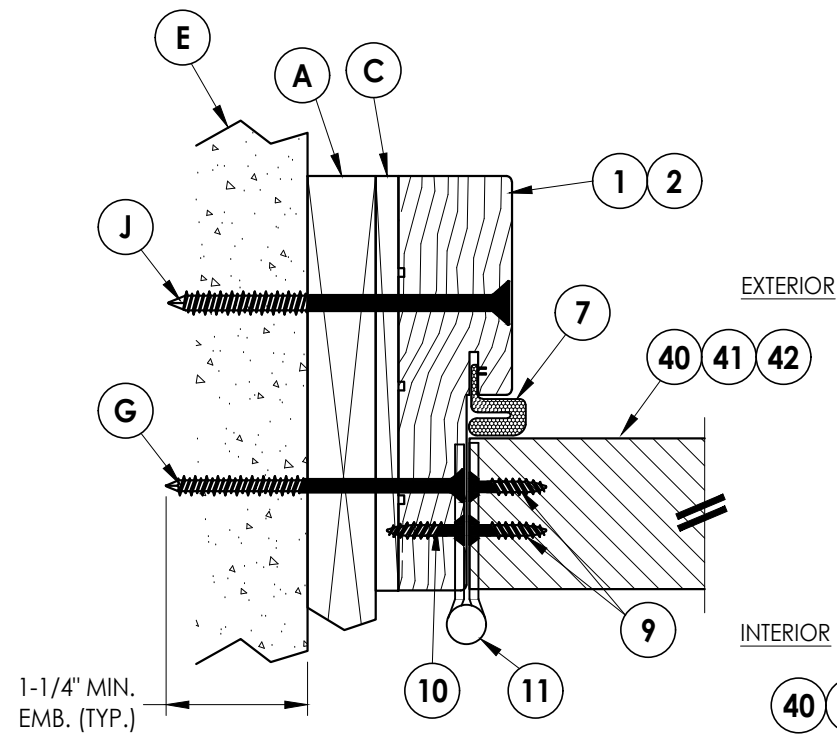
PART OR ASSEMBLY: HORIZONTAL & VERTICAL CROSS SECTIONS (2X BUCK)

NO.	DATE	BY	REVISIONS

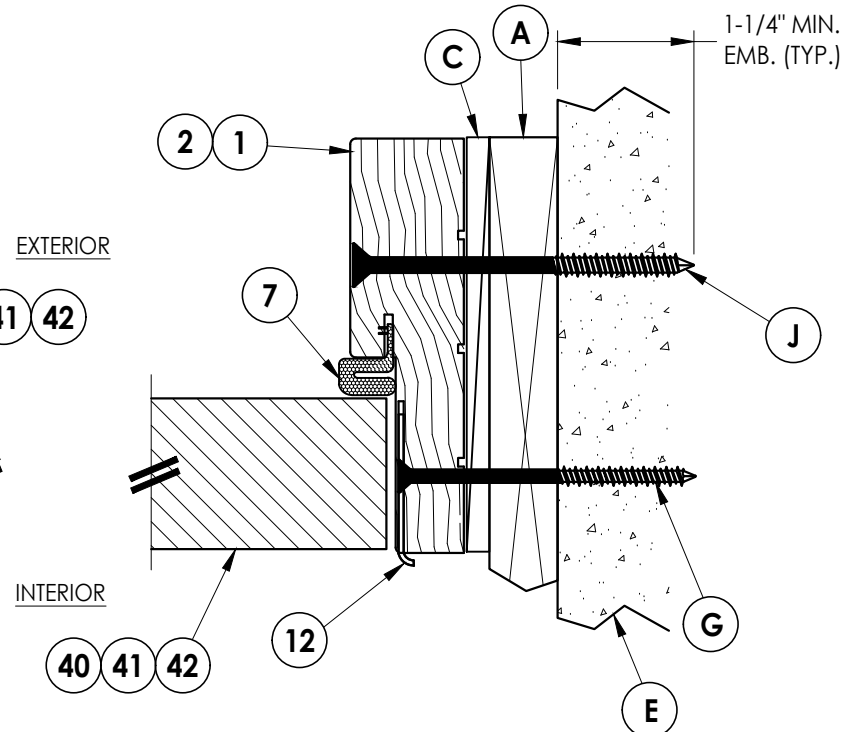
DATE: 2/22/24
 SCALE: N.T.S.
 DWG. BY: LFS
 CHK. BY: RW
 DRAWING NO.: FL-46553.2
 SHEET 7 OF 14

© 2024 R.W. BUILDING CONSULTANTS INC.

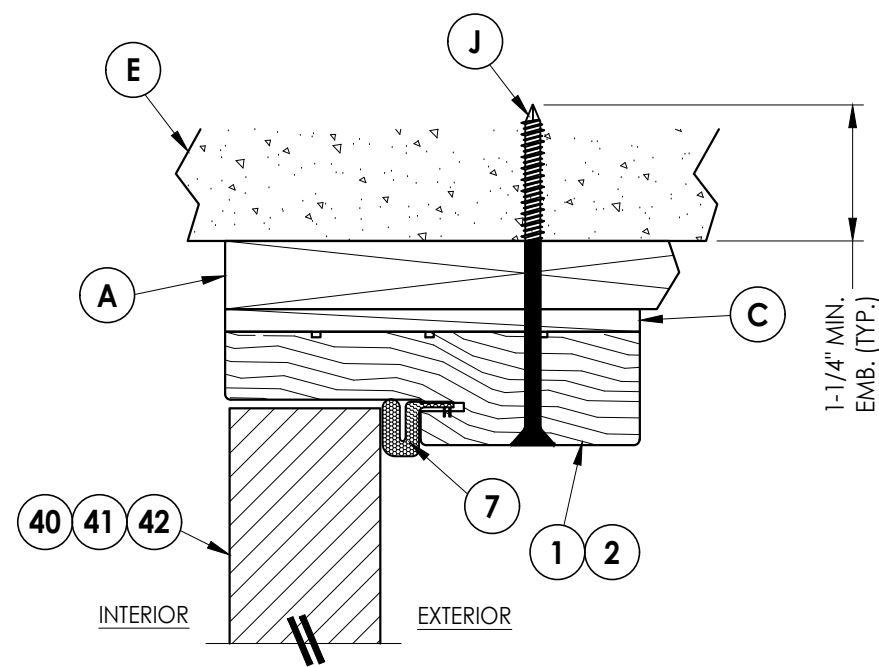
Z:\2023 FBC Drawings\DoorScapes, Inc\FL-46553 FG Flush Glased Door\FL46553.2.dwg



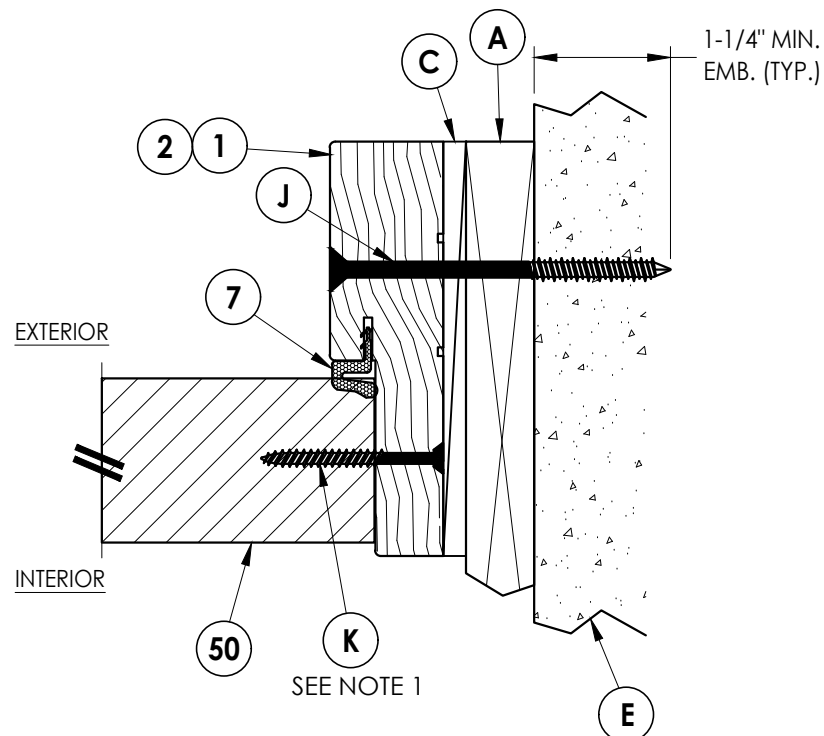
1 HORIZONTAL CROSS SECTION
8 Inswing Shown (Outswing Similar)
1X Buck Construction



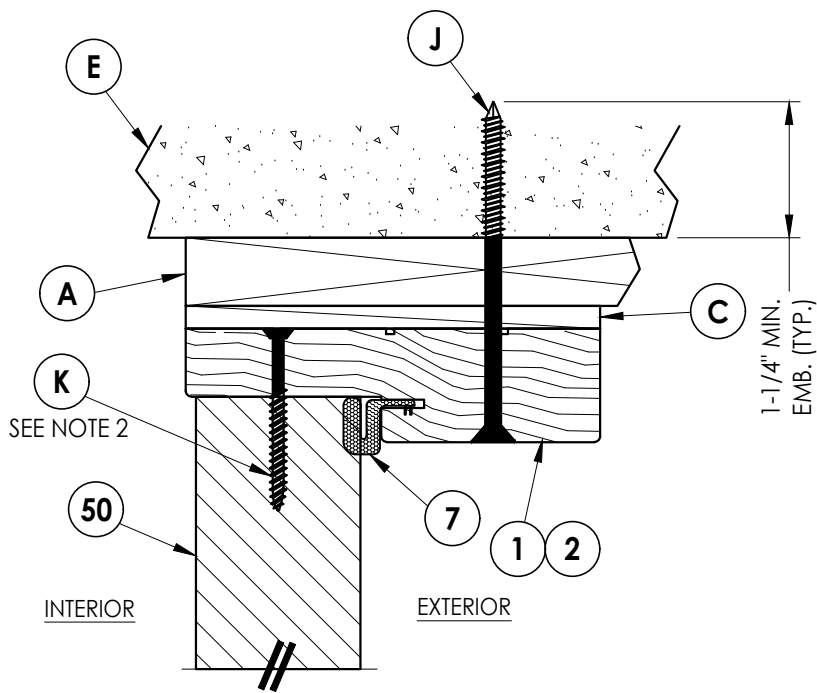
2 HORIZONTAL CROSS SECTION
8 Inswing Shown (Outswing Similar)
1X Buck Construction



4 VERTICAL CROSS SECTION
8 Inswing Shown (Outswing Similar)
1X Buck Construction



3 HORIZONTAL CROSS SECTION
8 Inswing Shown (Outswing Similar)
1X Buck Construction



5 VERTICAL CROSS SECTION
8 Inswing Shown (Outswing Similar)
1X Buck Construction

NOTES:

- Sidelite attached @ 6" from each end plus 4 more screws equally spaced between (6 screws total per jamb).
- Sidelite attached @ 3" from each end (2 screws total @ head).

Documents Prepared By:
Lyndon F. Schmidt
P.E. No. 43409

RW BUILDING CONSULTANTS, INC.
P.O. Box 230, Valrico, FL 33595
Phone No.: 813.659.9197
FBPE Registry No. 9813

PRODUCT: DOORSCAPES
FIBERGLASS DOOR

PART OR ASSEMBLY:
HORIZONTAL & VERTICAL
CROSS SECTIONS (1X BUCK)

NO.	DATE	BY	REVISIONS

DATE: 2/22/24

SCALE: N.T.S.

DWG. BY: LFS

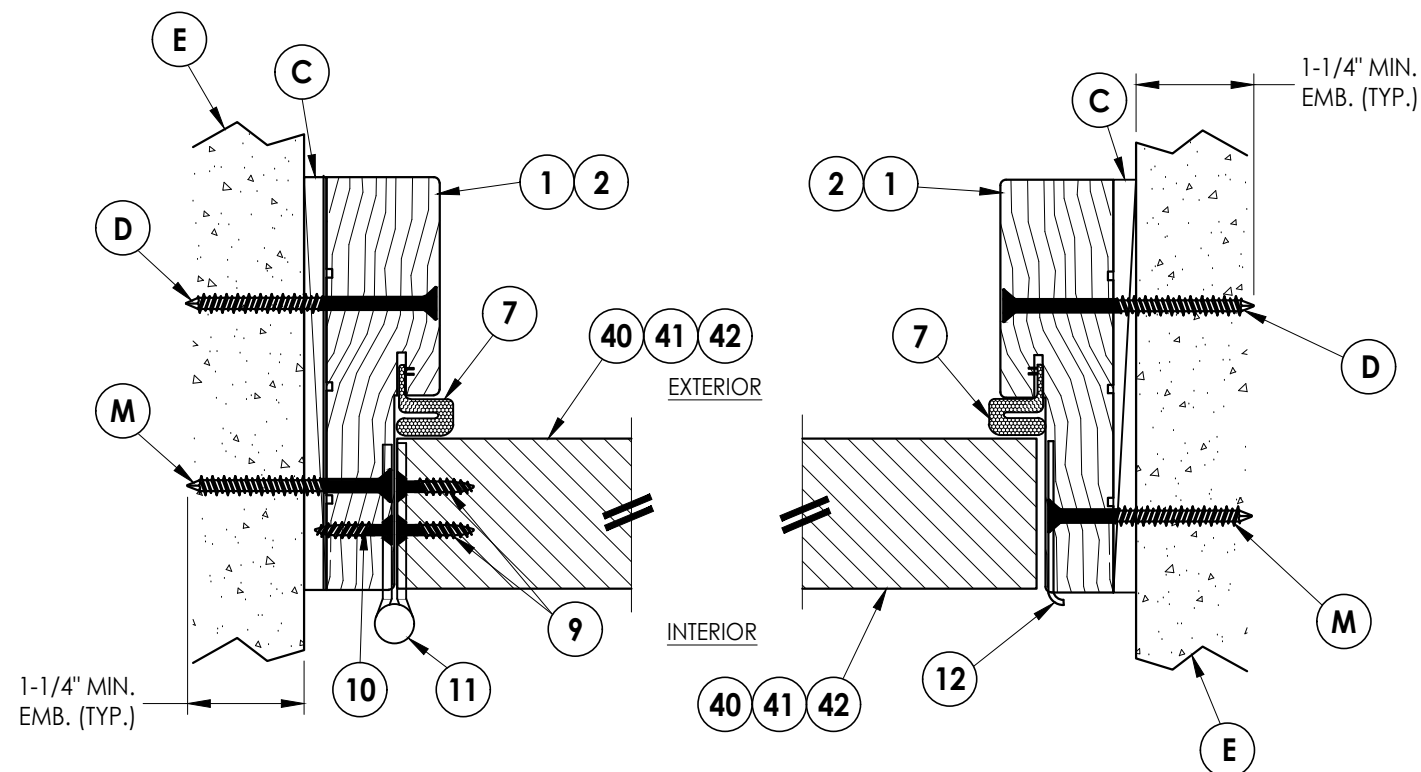
CHK. BY: RW

DRAWING NO.:

FL-46553.2

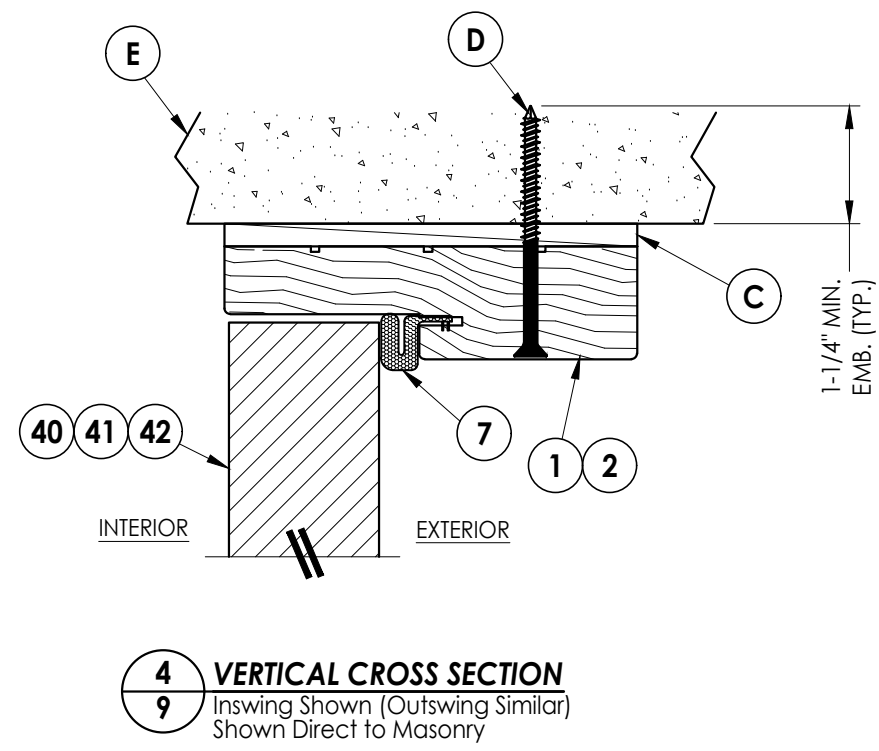
SHEET 8 OF 14

Z:\2023 FBC Drawings\Doorscapes, Inc\FL-46553 FG Flush Glased Door\FL46553.2.dwg

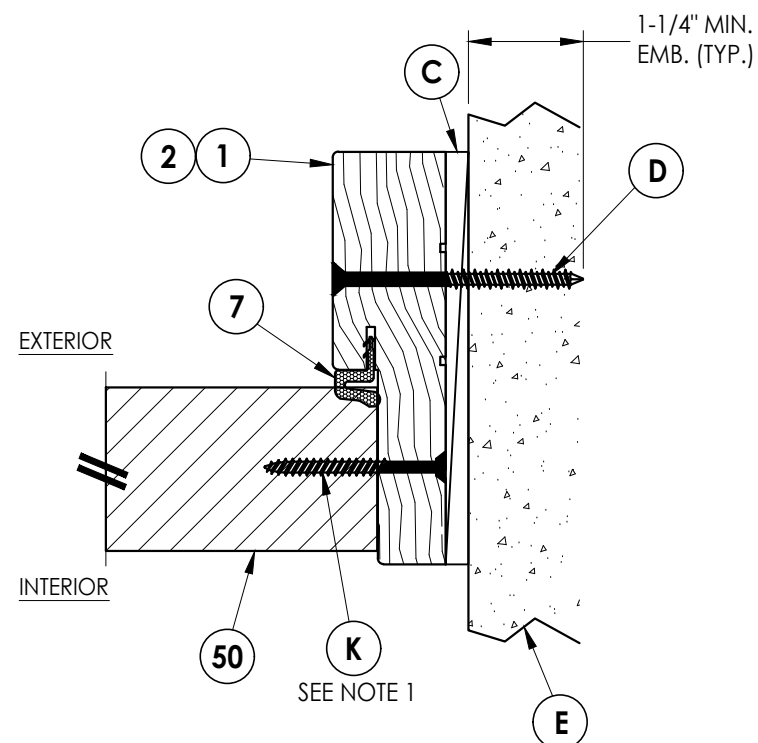


1
9 HORIZONTAL CROSS SECTION
Inswing Shown (Outswing Similar)
Shown Direct to Masonry

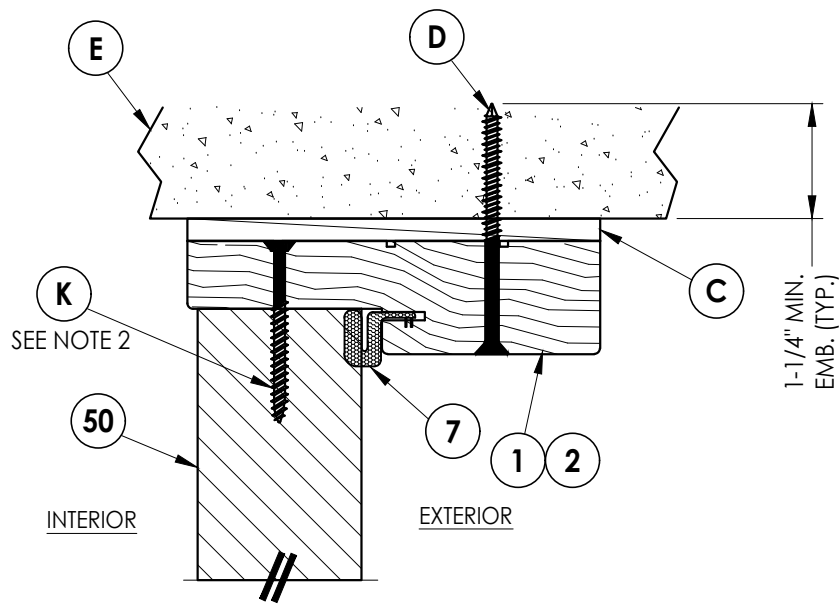
2
9 HORIZONTAL CROSS SECTION
Inswing Shown (Outswing Similar)
Shown Direct to Masonry



4
9 VERTICAL CROSS SECTION
Inswing Shown (Outswing Similar)
Shown Direct to Masonry



3
9 HORIZONTAL CROSS SECTION
Inswing Shown (Outswing Similar)
Shown Direct to Masonry



5
9 VERTICAL CROSS SECTION
Inswing Shown (Outswing Similar)
Shown Direct to Masonry

NOTES:

- Sidelite attached @ 6" from each end plus 4 more screws equally spaced between (6 screws total per jamb).
- Sidelite attached @ 3" from each end (2 screws total @ head).

Documents Prepared By:
Lyndon F. Schmidt
P.E. No. 43409

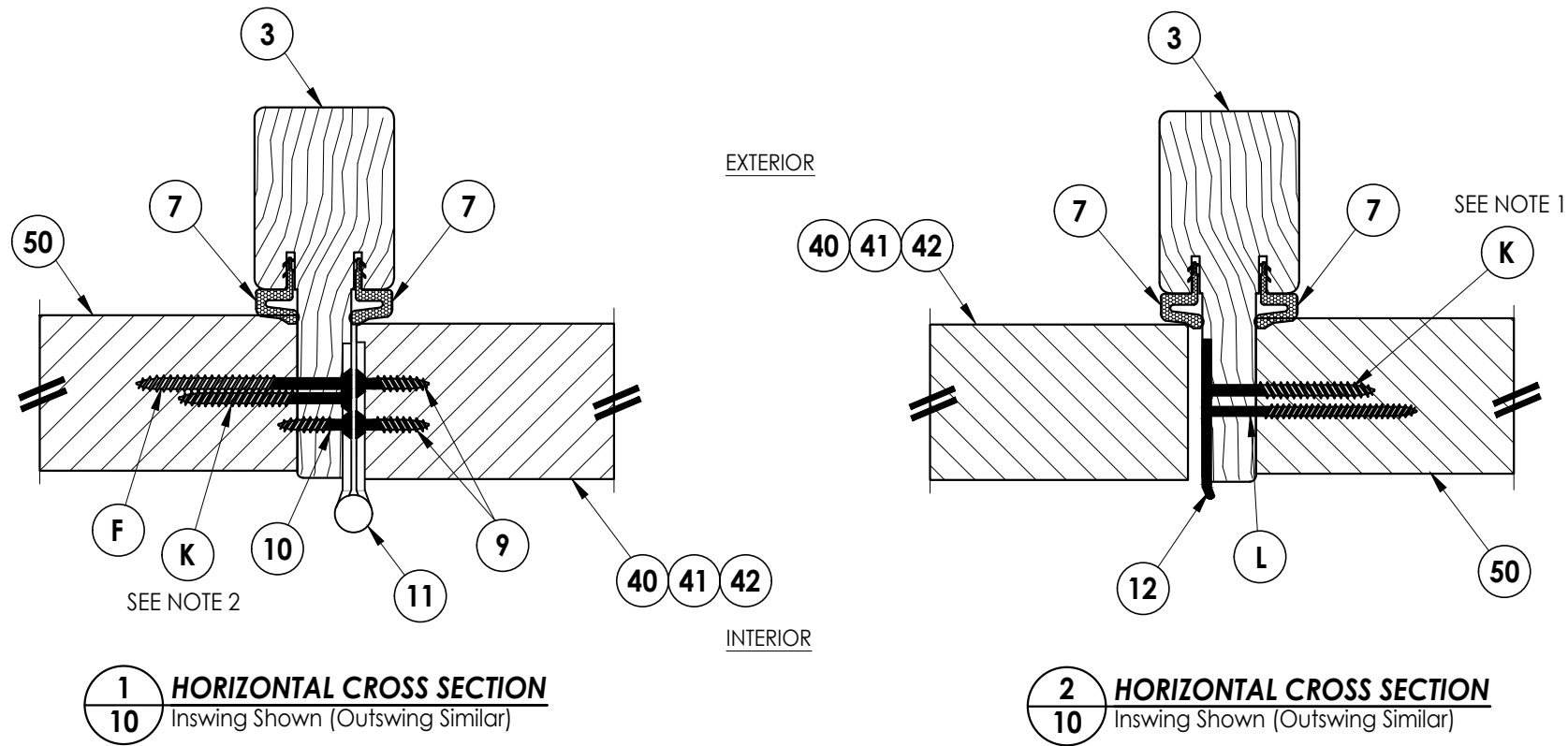
RW
BUILDING CONSULTANTS, INC.
P.O. Box 230, Valrico, FL 33595
Phone No.: 813.659.9197
FBPE Registry No. 9813

PRODUCT: DOORSCAPES
FIBERGLASS DOOR

PART OR ASSEMBLY:
HORIZONTAL & VERTICAL CROSS
SECTIONS (DIRECT TO MASONRY)

NO.	DATE	BY	REVISIONS

DATE: 2/22/24
SCALE: N.T.S.
DWG. BY: LFS
CHK. BY: RW
DRAWING NO.: FL-46553.2
SHEET 9 of 14



SEE NOTE 2

SEE NOTE 1

NOTES:

1. Sidelite attached @ 6" from each end plus 4 more screws equally spaced between (6 screws total per jamb).
2. Sidelite attached w/ 1 screw equally spaced between each hinge (2 screws total per mullion).

DATE: 2/22/24

SCALE: N.T.S.

DWG. BY: LFS

CHK. BY: RW

DRAWING NO.: FL-46553.2

SHEET 10 of 14

PRODUCT: DOORSCAPES
FIBERGLASS DOOR

PART OR ASSEMBLY:
HORIZONTAL CROSS
SECTIONS

Documents Prepared By:
Lyndon F. Schmidt
P.E. No. 43409

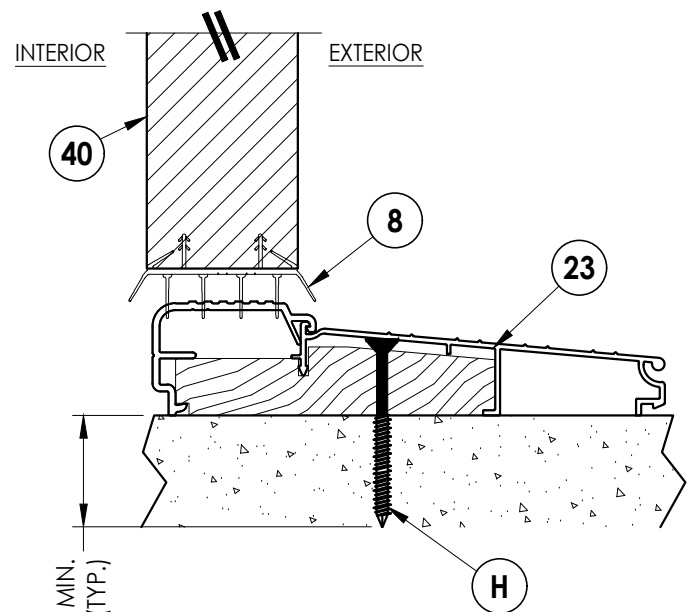
RW

BUILDING CONSULTANTS, INC.
P.O. Box 230, Valrico, FL 33595
Phone No.: 813.659.9197
FBPE Registry No. 9813

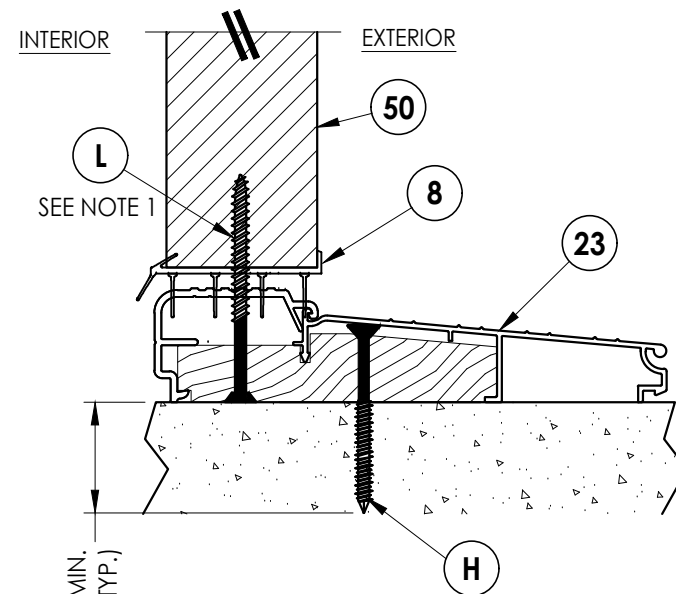
REVISIONS

BY

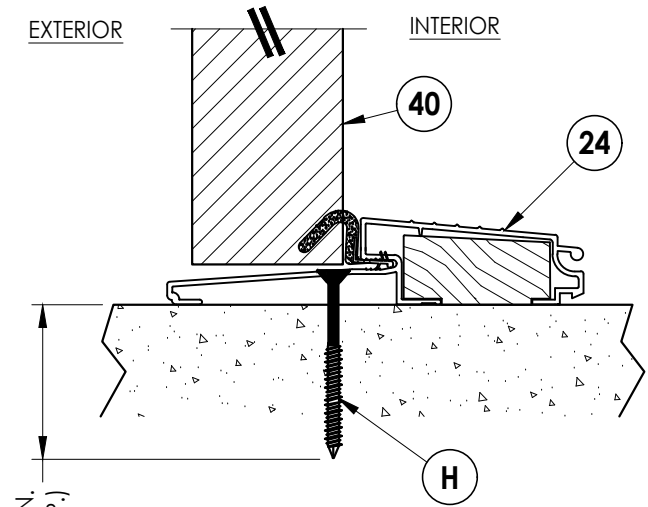
NO. DATE



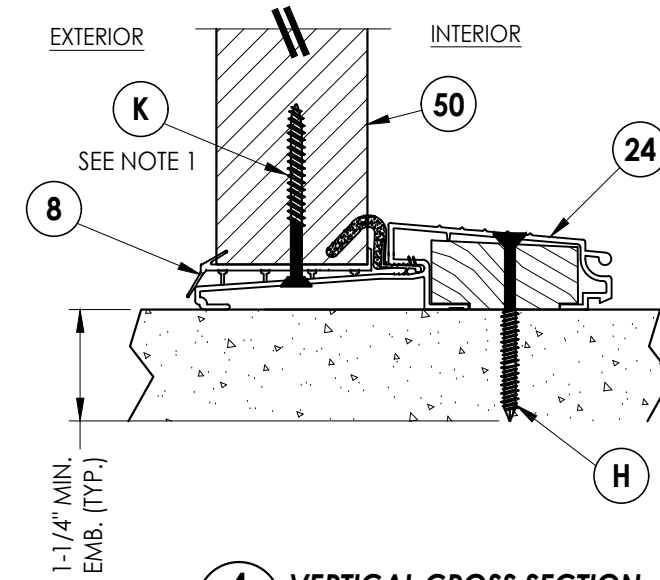
1 VERTICAL CROSS SECTION
11 Inswing sill



2 VERTICAL CROSS SECTION
11 Inswing sill



3 VERTICAL CROSS SECTION
11 Outswing sill



4 VERTICAL CROSS SECTION
11 Outswing sill

NOTE:
1. Sidelite attached @ 3" from each end (2 screws total @ sill).

Documents Prepared By:
Lyndon F. Schmidt
P.E. No. 43409

RW BUILDING CONSULTANTS, INC.
P.O. Box 230, Vairico, FL 33595
Phone No.: 813.659.9197
FBPE Registry No. 9813

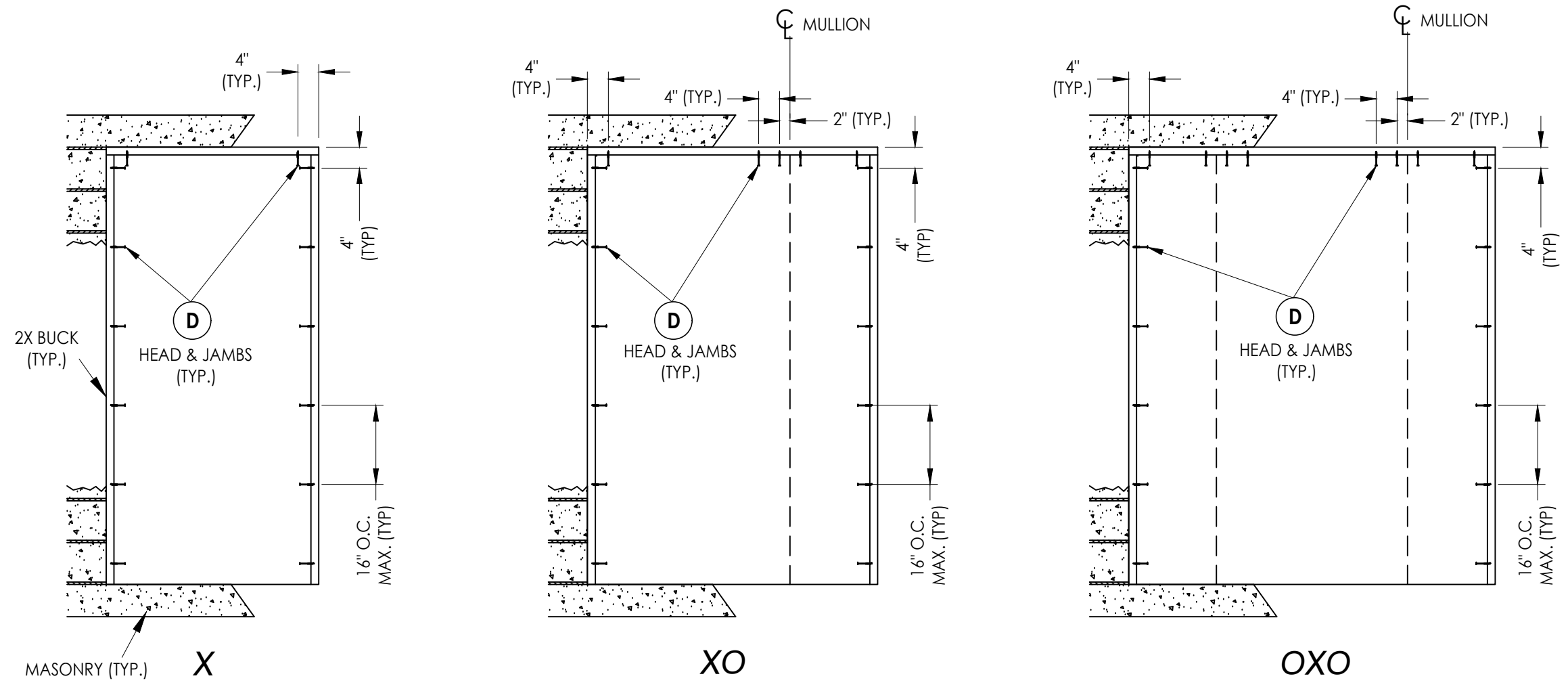
PRODUCT: DOORSCAPES FIBERGLASS DOOR

PART OR ASSEMBLY: VERTICAL CROSS SECTIONS

REVISIONS	
NO.	DATE
BY	

DATE: 2/22/24
SCALE: N.T.S.
DWG. BY: LFS
CHK. BY: RW
DRAWING NO.: FL-46553.2
SHEET 11 of 14

Z:\2023 FBC Drawings\Door\FL-46553 FG Flush Glased Door\FL46553.2.dwg



2X BUCK ANCHORING

Documents Prepared By:
 Lyndon F. Schmidt
 P.E. No. 43409

RW BUILDING CONSULTANTS, INC.
 P.O. Box 230, Valrico, FL 33595
 Phone No.: 813.659.9197
 FBPE Registry No. 9813

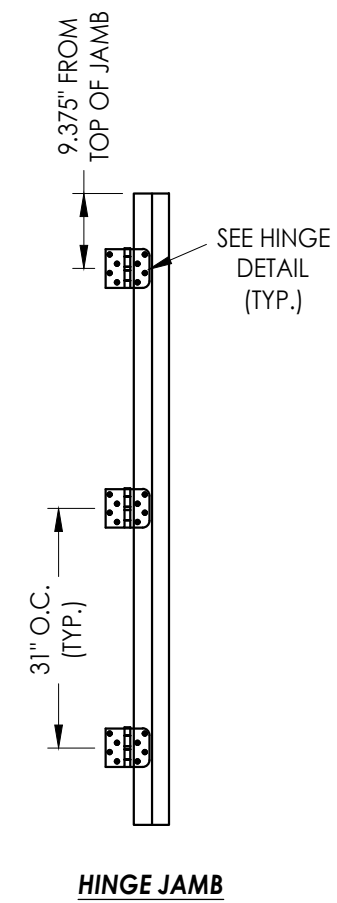
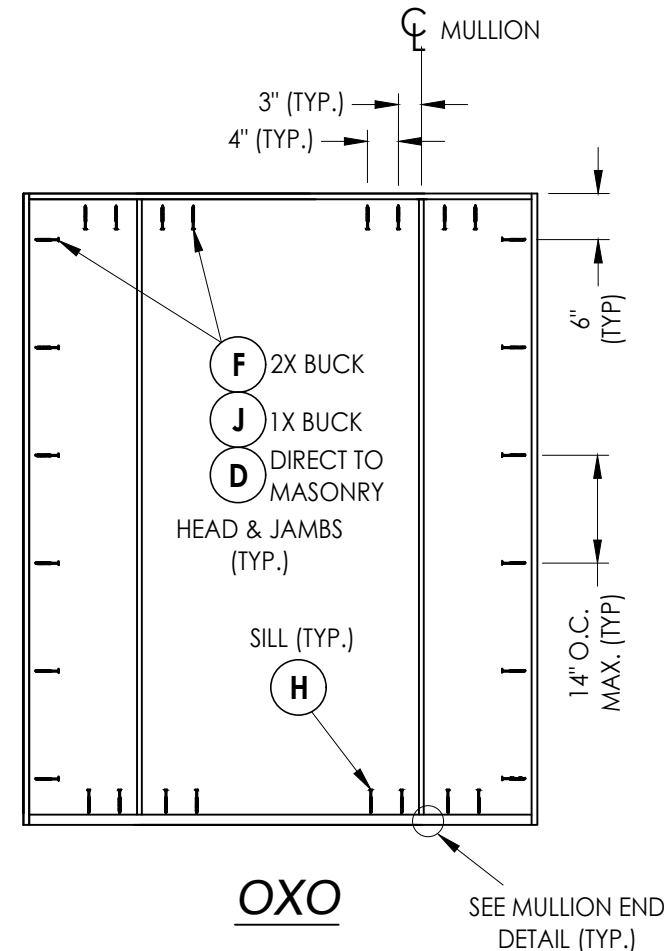
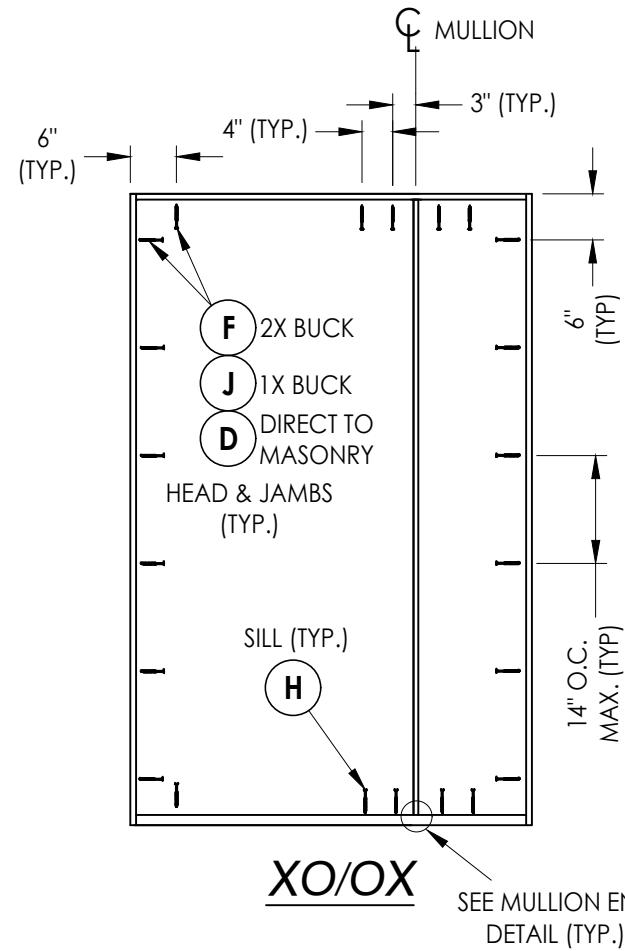
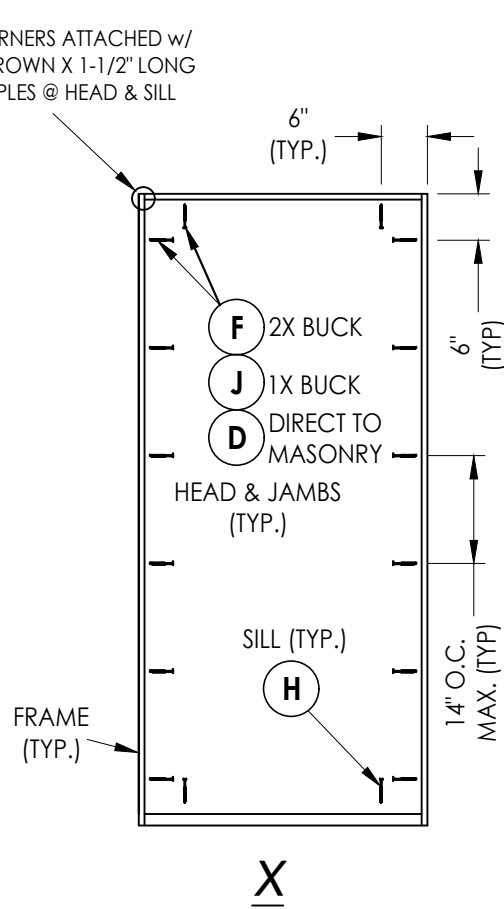
PRODUCT: DOORSCAPES
 FIBERGLASS DOOR

PART OR ASSEMBLY:
 BUCK ANCHORING

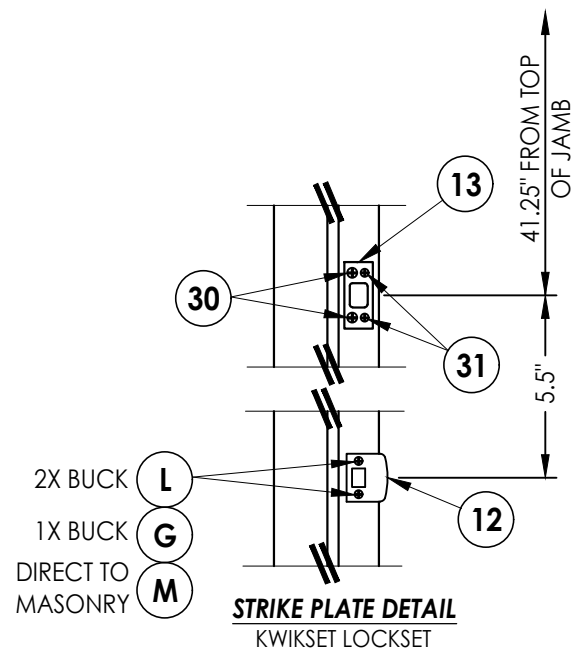
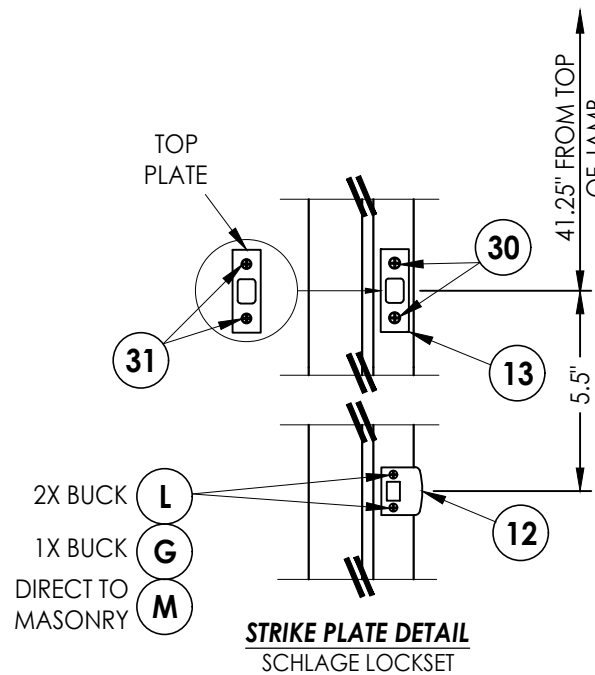
NO.	DATE	BY	REVISIONS

DATE: 2/22/24
 SCALE: N.T.S.
 DWG. BY: LFS
 CHK. BY: RW
 DRAWING NO.:
 FL-46553.2
 SHEET 12 OF 14

FRAME CORNERS ATTACHED w/
 (4) 7/16" CROWN X 1-1/2" LONG
 16 GA. STAPLES @ HEAD & SILL
 (TYP.)

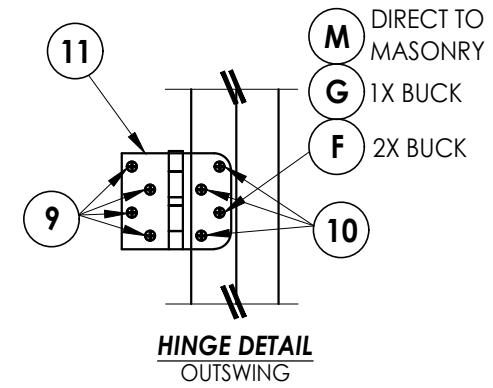
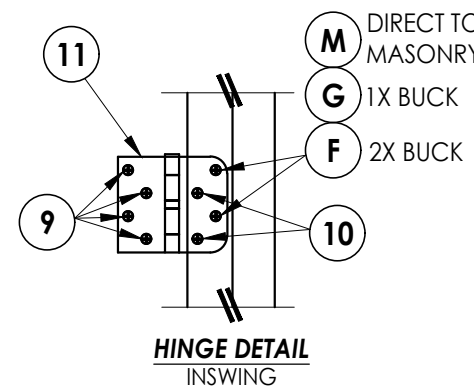
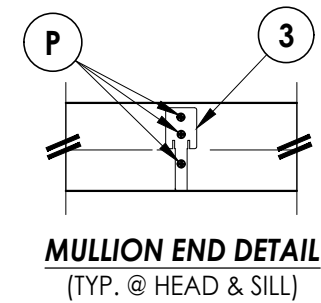


FRAME ANCHORING



LATCH & DEADBOLT STRIKE PLATE DETAILS

HARDWARE DETAILS



Documents Prepared By:
 Lyndon F. Schmidt
 P.E. No. 43409

RW BUILDING CONSULTANTS, INC.
 P.O. Box 230, Valrico, FL 33595
 Phone No.: 813.659.9197
 FBPE Registry No. 9813

PRODUCT: DOORSCAPES
 FIBERGLASS DOOR

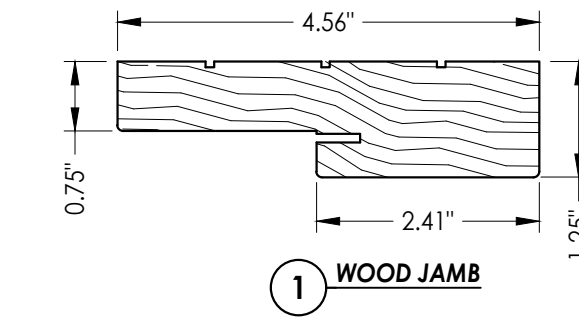
PART OR ASSEMBLY:
 FRAME ANCHORING
 & HARDWARE DETAILS

REVISIONS	
NO.	DATE

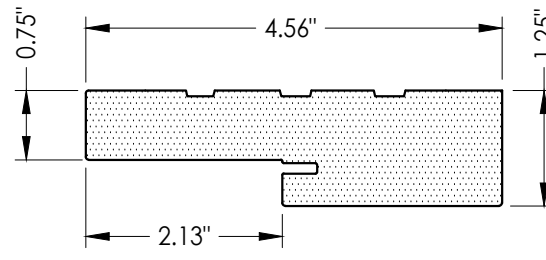
DATE: 2/22/24
 SCALE: N.T.S.
 DWG. BY: LFS
 CHK. BY: RW
 DRAWING NO.: FL-46553.2
 SHEET 13 OF 14

BILL OF MATERIALS

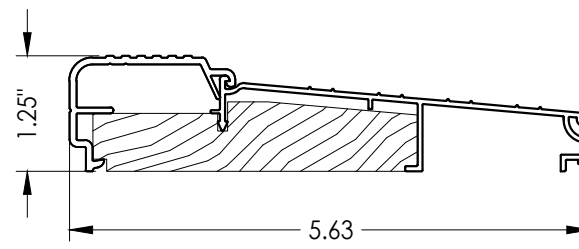
ITEM #	DESCRIPTION	MATERIAL
A	1X BUCK (G >= 0.42)	WOOD
B	2X BUCK (G >= 0.42)	WOOD
C	1/4" MAX. SHIM SPACE	-
D	1/4" X 2-3/4" PFH DeWALT OR ITW CONCRETE SCREW	STEEL
E	MASONRY - 3,000 PSI MIN. CONCRETE CONFORMING TO ACI 301 OR HOLLOW BLOCK CONFORMING TO ASTM C90	CONCRETE
F	#10 X 2-1/2" PFH WOOD SCREW (1.15" MIN. EMBEDMENT)	STEEL
G	3/16" X 3-1/4" PFH ITW CONCRETE SCREW	STEEL
H	1/4" X 2-1/4" PFH DeWALT OR ITW CONCRETE SCREW	STEEL
J	1/4" X 3-3/4" PFH DeWALT OR ITW CONCRETE SCREW	STEEL
K	#10 X 2" PFH WOOD SCREW	STEEL
L	#8 X 2-1/2" PFH WOOD SCREW	STEEL
M	3/16" X 2-1/4" PFH ITW CONCRETE SCREW	STEEL
1	FINGER JOINT PINE JAMB (G >= 0.42)	WOOD
2	COMPOSITE JAMB	COMP
3	INTEGRAL MULLION - 1.625" WIDE (PINE LVL, G >= 0.42)	WOOD
7	WEATHERSTRIP	FOAM
8	DOOR/SIDELITE BOTTOM SWEEP	VINYL
9	#9 X 1" PFH WOOD SCREW	STEEL
10	#10 X 3/4" PFH WOOD SCREW	STEEL
11	4" X 4" BUTT HINGE	STEEL
12	LATCH STRIKE PLATE	STEEL
13	DEADBOLT STRIKE PLATE	STEEL
23	INSWING THRESHOLD (AFCO A-280)	ALUM/WOOD
24	OUTSWING THRESHOLD (AFCO A-117)	ALUM/WOOD
30	#12 X 2-1/2" PFH WOOD SCREW	STEEL
31	#8 X 1/2" PFH WOOD SCREW	STEEL
40	DOOR PANEL - SEE DOOR PANEL DETAIL SHEET FOR DETAILS	-
41	DOOR PANEL - SEE DOOR PANEL DETAIL SHEET FOR DETAILS	-
42	DOOR PANEL - SEE DOOR PANEL DETAIL SHEET FOR DETAILS	-
50	SIDELITE PANEL - SEE SIDELITE PANEL DETAIL SHEET FOR DETAILS	-



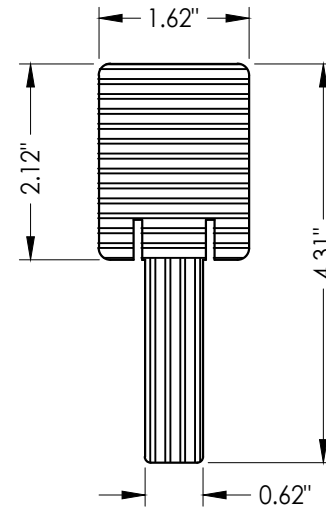
1 WOOD JAMB



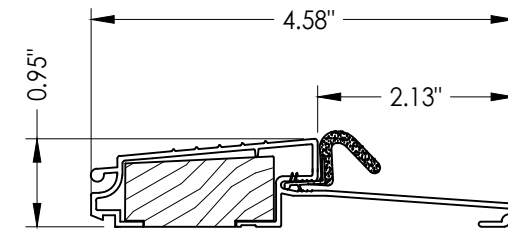
2 COMPOSITE JAMB



23 INSWING FIXED THRESHOLD



3 INTEGRAL MULLION



24 OUTSWING THRESHOLD

CONCRETE ANCHOR NOTES:

- Concrete anchor locations at the corners may be adjusted to maintain the min. edge distance to mortar joints.
- Concrete anchor locations noted as "MAX. ON CENTER" must be adjusted to maintain the min. edge distance to mortar joints, additional concrete anchors may be required to ensure the "MAX. ON CENTER" dimension are not exceeded.
- Concrete anchor table:

ANCHOR TYPE	ANCHOR SIZE	MIN. EMBEDMENT	MIN. CLEARANCE TO MASONRY EDGE	MIN. CLEARANCE TO ADJACENT ANCHOR
ITW BUILDEX TAPCON®	3/16"	1-1/4"	3"	1-1/2"
	1/4"	1-1/4"	2"	4"
DeWALT ULTRACON®	1/4"	1-1/4"	1"	4"

WOOD SCREW INSTALLATION NOTES:

- Maintain a minimum 5/8" edge distance, 1" end distance, & 1" o.c. spacing of wood screws to prevent the splitting of wood.

Documents Prepared By:
Lyndon F. Schmidt
P.E. No. 43409

RW BUILDING CONSULTANTS, INC.
P.O. Box 230, Valrico, FL 33595
Phone No.: 813.659.9197
FBPE Registry No. 9813

PRODUCT: DOORSCAPES
FIBERGLASS DOOR

PART OR ASSEMBLY:
BILL OF MATERIALS
& COMPONENTS

NO.	DATE	BY	REVISIONS

DATE: 2/22/24
SCALE: N.T.S.
DWG. BY: LFS
CHK. BY: RW
DRAWING NO.: FL-46553.2
SHEET 14 OF 14